

Parts Catalog

Admiral 40 & 42

Rider Sweeper / Scrubber



PREFACE

Thank you for your purchase of the now industry standard for sweepers. PowerBoss takes great pride in offering the most dependable, reliable and best value in industrial power sweepers and sweeper / scrubbers. We set the standard.

Our Publishing Department would like to hear from you. If you see any errors, omissions or something that needs clarification in this Spare Parts Catalog please let us know. We are working hard toward perfection in our corner of the process to bring you the best you can buy. Please copy the form below, fill out and comment on how you found our catalog.

Thank you.

*Name _____

*Title: _____

*Company Name: _____

*Address: _____

*Country: _____

Type of equipment or model number: _____

Comments:

*Information is optional.

Please return to:

Manager, Publishing Department, International
PowerBoss, Inc.
175 Anderson Street
Aberdeen, North Carolina 28315 USA

Phone (800) 982-7141 Toll Free

(910) 944-2105 Local

E-Mail - techsupport@powerboss.com

This Manual For The Powerboss Admiral 40 Sweeper / Scrubber. It Provides A Parts Lists For Your New Machine.

This Manual Covers All Standard Admiral 40 Series Models:

- Model No. ADM40DSSQP**
- ADM40DSS**
- ADM40DQP**
- ADM40D**
- 3343521QP (Sold under Admiral 42 model name)**
- 3343521 (Sold under Admiral 42 model name)**
- 3343522QP (Sold under Admiral 42 model name)**
- 3343522 (Sold under Admiral 42 model name)**

The Machine Will Provide Excellent Service. However, The Best Results Will Be Obtained If:

- The Machine Is Operated With Reasonable Care.
- The Machine Is Maintained Regularly Per The Maintenance Schedule In The User Manual Provided.
- The Machine Is Maintained With Powerboss Oem Supplied Or Equivalent Parts.

All Right Side And Left Side References To The Machine Are Determined By Facing The Direction Of Forward Travel. Parts May Be Ordered By Phone Or Mail From Any Powerboss Parts And Service Center. Before Ordering Parts Or Supplies Be Sure To Have Your Machine Model Number And Serial Number Handy.

Fill Out The Data Block Below For Future Reference.

All Information Contained In This Manual Is Current At The Time Of Printing However,Powerboss Reserves The Right To Make Changes At Any Time Without Notice.

©2009, Powerboss, Inc., Printed In Usa
All Rights Reserved. This Manual May Not Be Copied Or Reproduced In Any Form Without The Written Permission Of Powerboss,Inc.

MACHINE DATA	
Fill Out At Installation	
Model:	Armdiral 40
Serial Number:	_____
Sales Rep or Dealer	_____
Date of Install:	_____
Manual p/n:	4100020

All Information Contained In This Manual Is Current At The Time Of Printing However,Powerboss Reserves The Right To Make Changes At Any Time Without Notice.

©2009, Powerboss, Inc., Printed In Usa
All Rights Reserved. This Manual May Not Be Copied Or Reproduced In Any Form Without The Written Permission Of Powerboss,Inc.

TABLE OF CONTENTS

PARTS BREAKDOWN 6

COVERING (L.H.) (97047799-1) 6

COVERING (L.H.) (97047799-1) 8

COVERING (R.H.) (97047799-2) 10

COVERING (R.H.) (97047799-2) 12

FRAME (97042337) 14

FRAME (97042337) 16

SEAT GROUP (97103477) 18

STEERING (97042352) 20

TRAVEL DRIVE (97042329) 22

REAR WHEEL (97042311) 24

SERVICE BRAKE - ACCELERATOR PEDAL (97042378-1) 26

SERVICE BRAKE - ACCELERATOR PEDAL (97042378-1) 28

BRAKE AIR CONDUIT SCHEME (97042378-2) 30

PARKING BRAKE (97042378-3) 32

BRUSH DRIVE, L.H. (97042428-1) 34

BRUSH DRIVE, L.H. (97042428-1) 36

BRUSH DRIVE, L.H. (97042428-1) 38

BRUSH DRIVE, L.H. (97042428-1) 40

WATER INFEED (BRUSH) (97048219) 42

BRUSH LIFTING (97042410) 44

HOPPER FLEXIBLE WALL_FAST WALL (97075345) 46

HOPPER FLEXIBLE WALL_FAST WALL (97075345) 48

FLAP (HOPPER) (97042535) 50

AUTOMATIC LOAD (97075220) 52

SUCTION UNIT (97075337) 54

SUCTION UNIT (97075337) 56

LIFTING ASSY FOR SUCTION (97042345) 58

SQUEEGEE (97042360) 60

ELECTRICAL EQUIPMENT (PART 1) (97099717-1) 62

ELECTRICAL EQUIPMENT (PART 1) (97099717-1) 64

ELECTRIC PRE-SWEEP-ATTACHMENT (97049092) 66

ELECTRICAL EQUIPMENT (PART 2) (97099717-2) 68

ELECTRICAL EQUIPMENT (PART 2) (97099717-2) 70

RETOOL KIT DRIVING CONTROL ZAPI (00831890) 72

MARKING (97100093) 74

OVERHEAD GUARD (99758200BT10) 76

WORK HEAD LIGHT (99758402BT10)..... 78

WARNING BEACON (99758502BT10)..... 80

PRE-SWEEP ATTACHMENT HKM B 1100 (7581.02) (99758102)..... 82

BASE FRAME - LIFTER (97043103-97043129)..... 84

FILTER INSTALLATION - VIBRATOR SYSTEM (97043186) 86

LIFTER HOPPER - FRAME - COVERING (97043095-97043111) 88

LIFTER HOPPER - FRAME - COVERING (97043095-97043111) 90

SIDE BRUSH INSTALLATION (L.H. AND R.H.) (97071187-97071195) 92

SWEEPER ROLLER WITH DRIVE, L.H. - BROOM TUNNEL L.H. (97043152-97049145-1)..... 94

SWEEPER ROLLER WITH DRIVE, L.H. - BROOM TUNNEL L.H. (97043152-97049145-1)..... 96

SWEEPER ROLLER WITH DRIVE, R.H. - BROOM TUNNEL R.H. (97043152-97049145-2) 98

ELECTRIC PRE-SWEEP-ATTACHMENT (97049092) 100

CLEANING AGENT DOSAGE SYSTEM (99756402) 102

DIRTY WATER RECYCLING SYSTEM (99758302)..... 104

DIRTY WATER RECYCLING SYSTEM (99758302)..... 106

SIDE SCRUBBING UNIT FOR HKM B 1050 AND HKM B 1100 (99758602) 108

SCRUBBING UNIT CPL. (97049076) 110

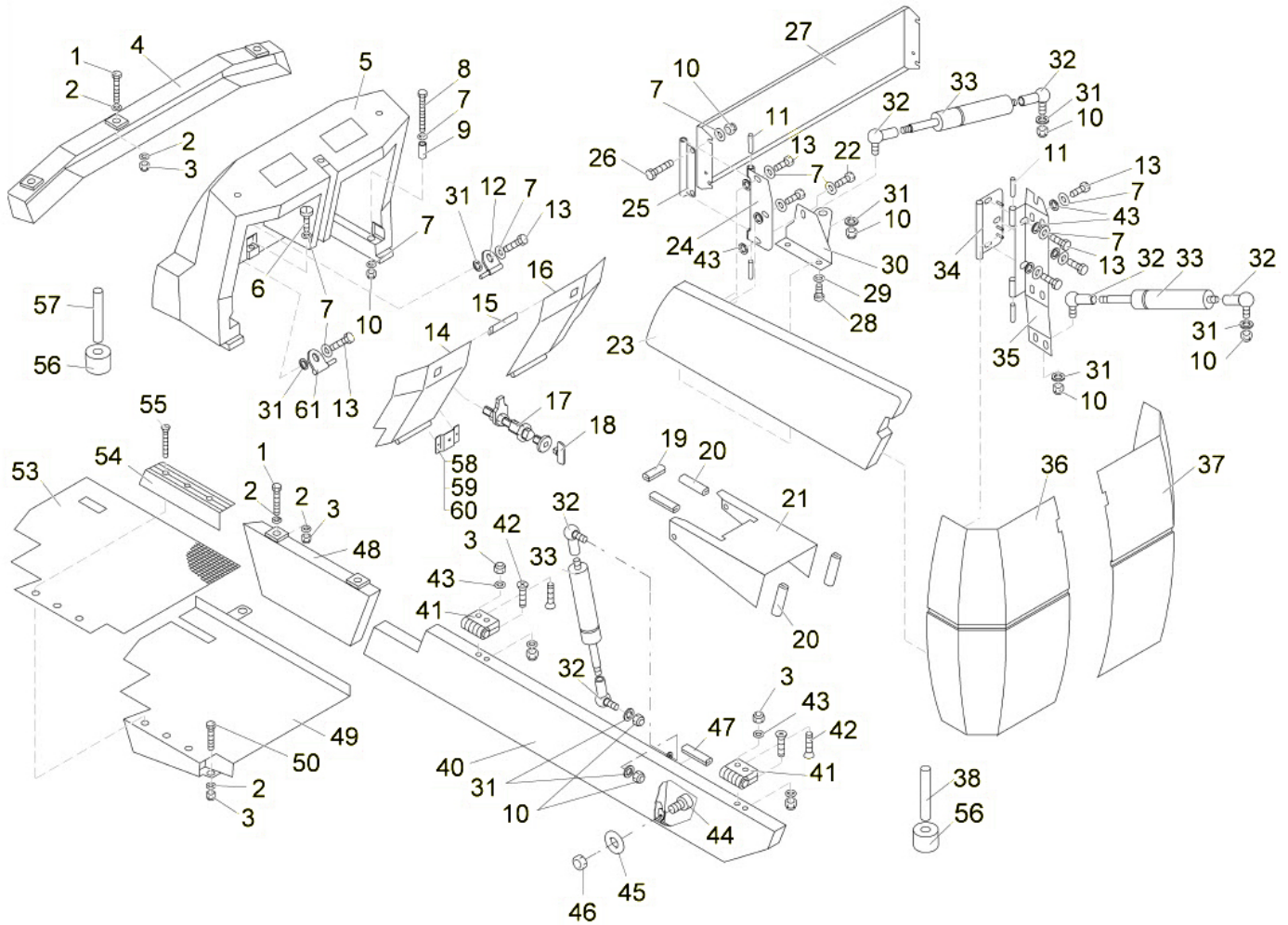
SCRUBBING UNIT CPL. (97049076) 112

WARRANTY **114**

NOTES **115**

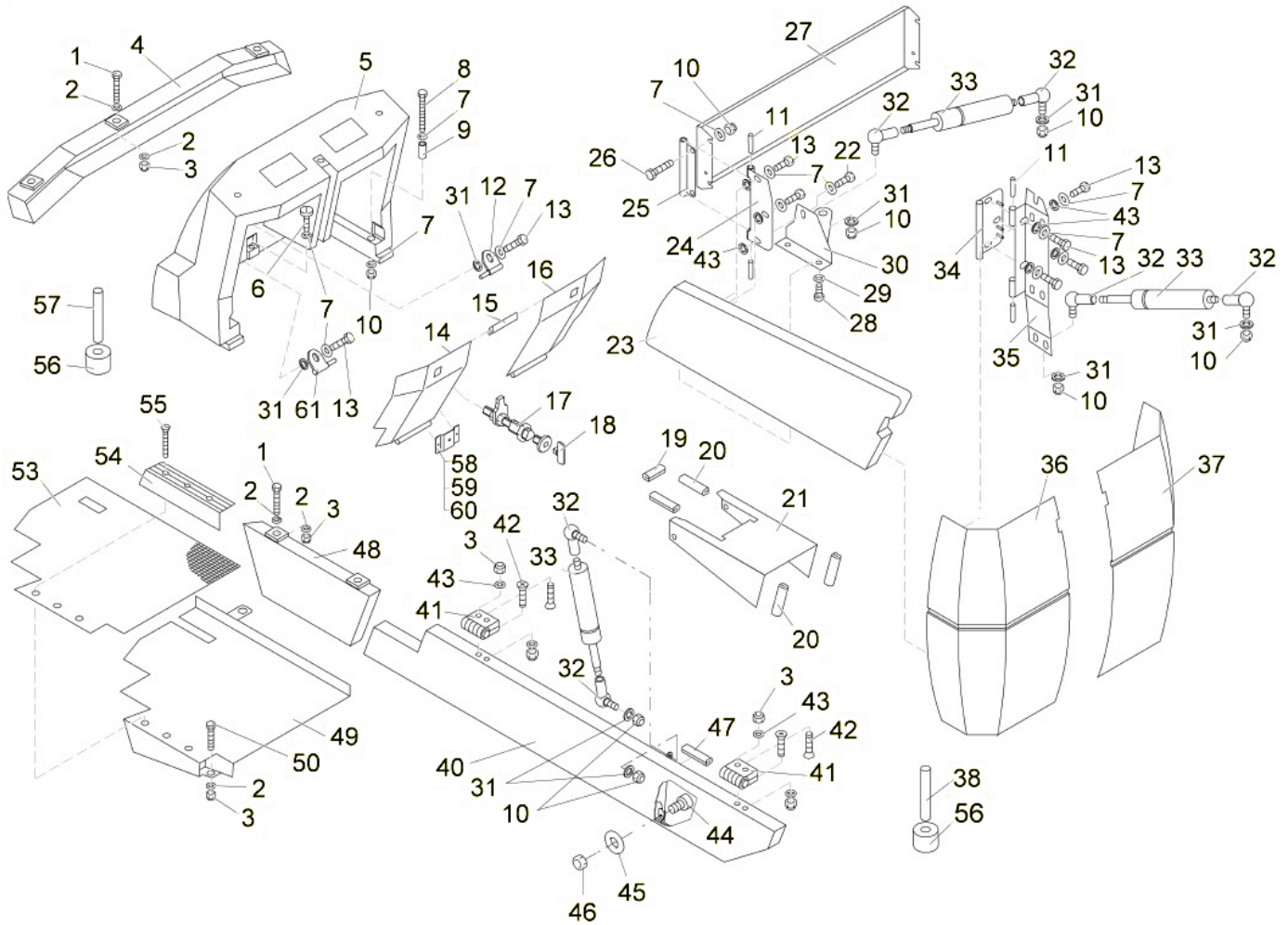
PARTS BREAKDOWN

COVERING (L.H.) (97047799-1)



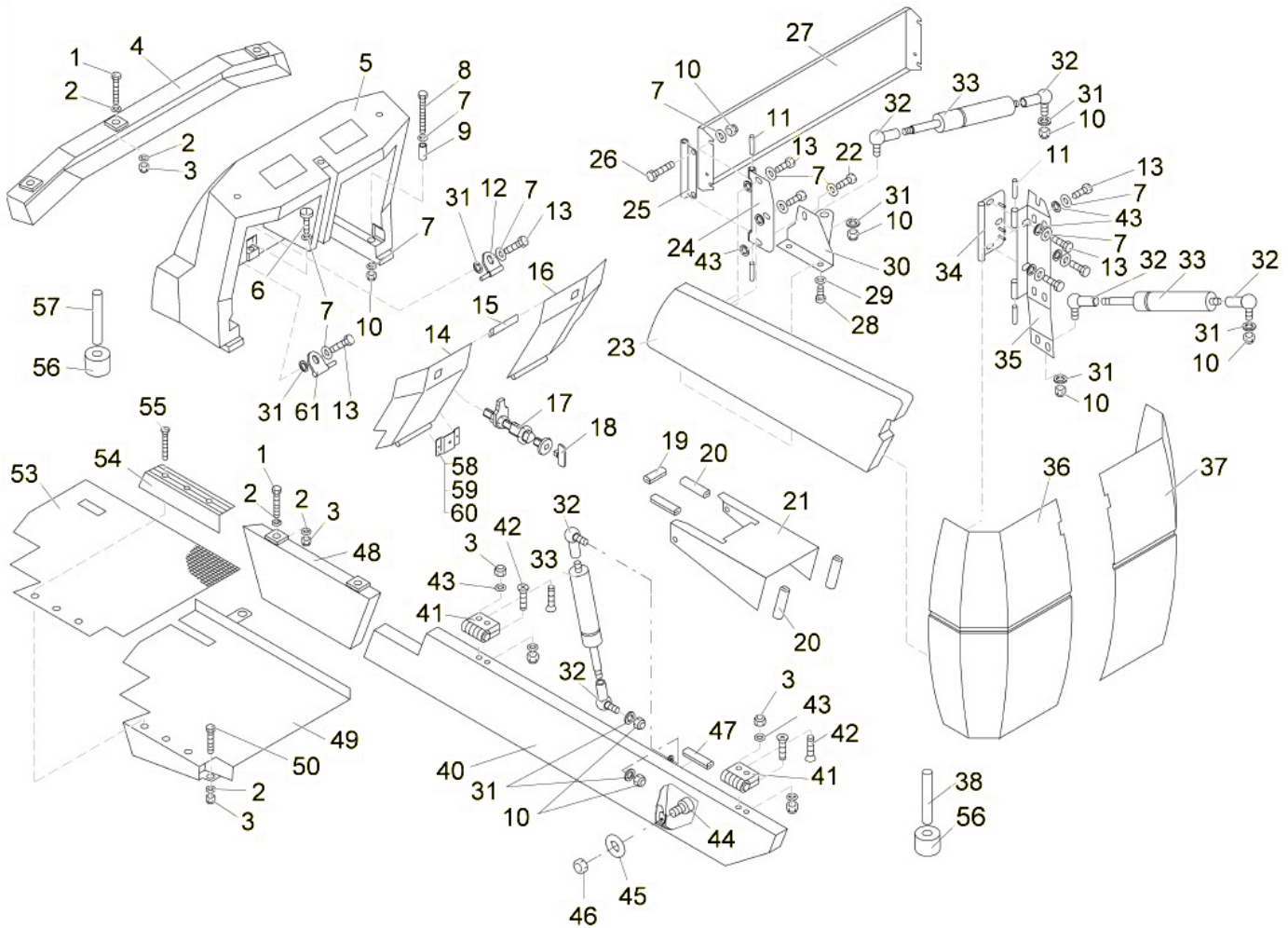
COVERING (L.H.) (97047799-1)			
ITEM	PART NO.	QTY	DESCRIPTION
1	00053040	5	HEX.BOLT M6X30-8.8 A2G
2	00135120	11	WASHER 6,4-140HV-ST A3G
3	00051520	13	HEXAGON NUT M6-6 A2G
4	00035210	1	FRONT SCREEN
5	00035070	1	FRONT WALL
6	00109720	1	SCREW D M8X18-ST DUO-TAPTITE
7	00042900	20	WASHER 8,4-140HV-ST A3G
8	00074260	12	HEX.BOLT M8X60-8.8 A2G
9	00975110	2	BUSHING
10	00051510	8	HEXAGON NUT M8-8 A2G
11	00155070	4	CYLINDER PIN 10M6X50
12	00975100	1	HINGE R.H.
13	00536320	11	HEX.BOLT M8X14-8.8 A2G
14	00722190	1	SHEET METAL L.H.
15	00681570	1000MM	EDGE PROTECTION
16	00722180	1	SHEET METAL R.H.
17	00975120	1	BOLT LOCK
18	00975170	1	KEY
19	00461460	160MM	EDGE PROTECTION
20	00752350	825MM	EDGE PROTECTION
21	00980620	1	HOOD
22	00053080	1	HEXAGON SCREW M8X16 8.8 A2G
23	00980050	1	SIDE DOOR LEFT
24	00980740	1	PLATE
25	00980770	1	PLATE
26	00053100	2	HEXAGON SCREW M8X25-8.8 A2G
27	00035220	1	PLATE
28	00959220	3	SCREW C M5X12-ST A2G TORX
29	00053720	3	WASHER A5,3-140HV-ST A2G
30	00975090	1	ANGLE
31	00053750	8	WASHER A8,4-140HV-ST A2G
32	00527690	6	ANGLE JOINT
33	00159800	3	GAS SPRING 250N
34	00980790	1	PLATE
35	00980810	1	ANGLE
36	00980010	1	DOOR LEFT
37	00980030	1	DOOR RIGHT
38	00102290	1	BOLT
40	00035200	1	FLAP
41	00522530	2	HINGE
42	00021310	8	COUNTERSUNK SCREW M6X20-4.8-H A2G

COVERING (L.H.) (97047799-1)



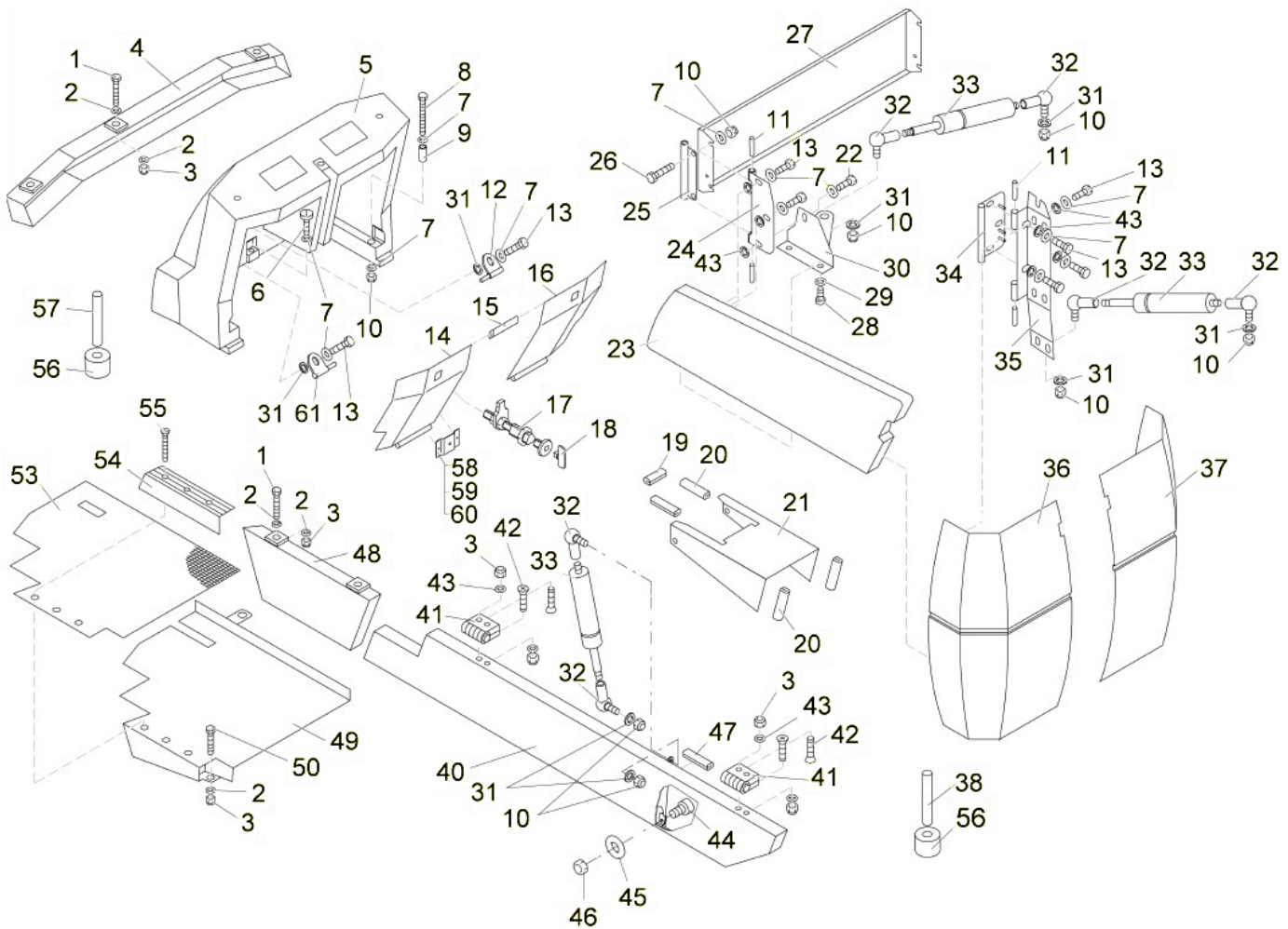
COVERING (L.H.) (97047799-1)			
ITEM	PART NO.	QTY	DESCRIPTION
43	00053730	20	WASHER A6,4-140HV-ST A2G
44	00127470	1	BUFFER
45	00053330	1	HEXAGON NUT M6-8 A2G
46	00053400	1	LOCK WASHER A6-MP-VERZ.,W-CHROM.
47	00721090	600MM	EDGE PROTECTION
48	00980600	1	CORNER
49	00980560	1	BOTTOM PLATE
50	00053020	1	HEXAGON SCREW M6X20-8.8 A2G
53	00980610	1	FLOOR MAT
54	00975140	1	STEP PLATE
55	00551140	3	TAPPING SCREW ST4,8X13-B A2G
56	00975150	2	ROLLER
57	00975160	1	BOLT
58	00695730	1	HOLDER
59	00023640	1	CABLE CLIP
60	01177820	1	BLIND RIVET F3X7,0-AL
61	00959640	1	BOLT

COVERING (R.H.) (97047799-2)



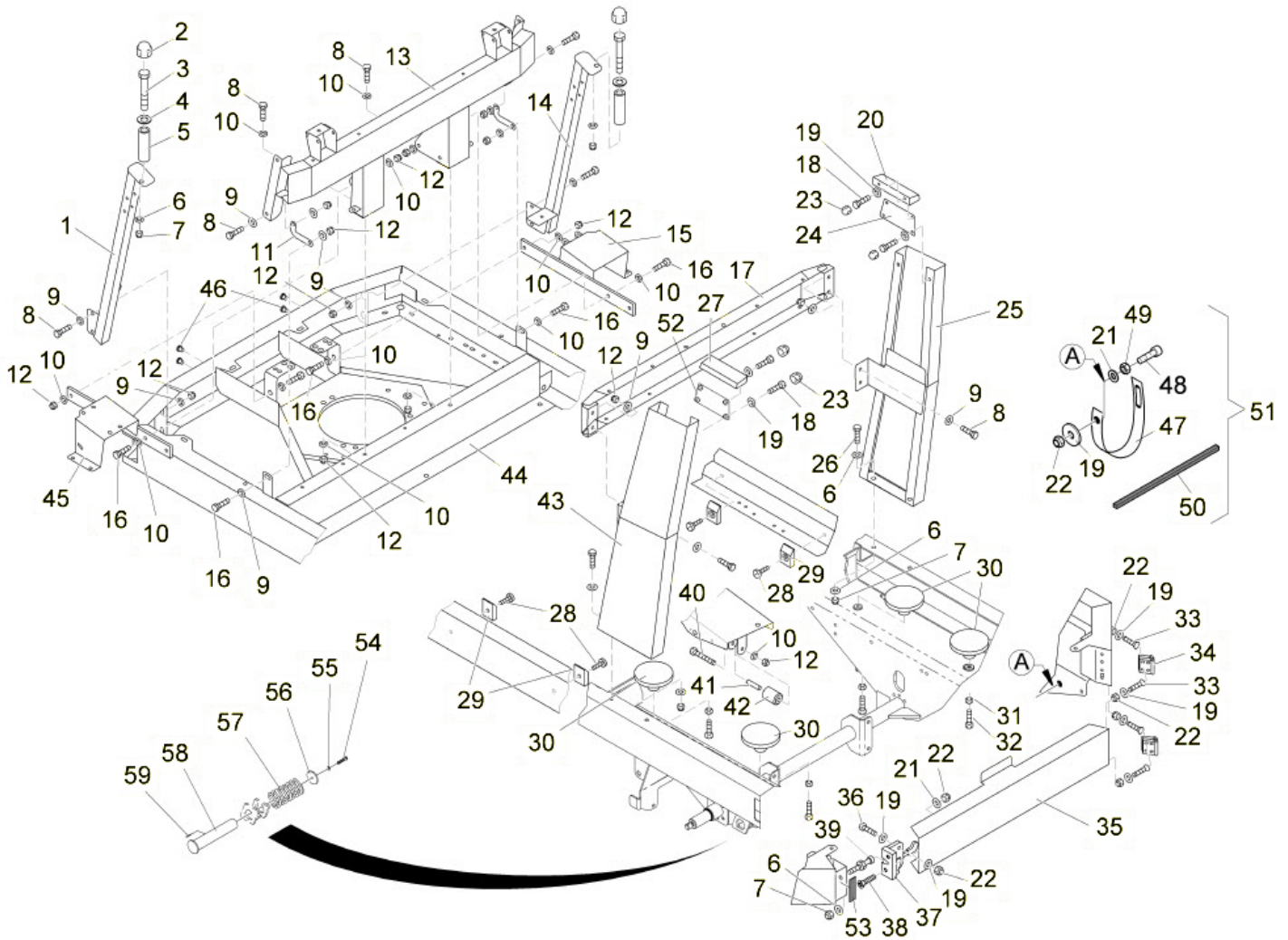
COVERING (R.H.) (97047799-2)			
ITEM	PART NO.	QTY	DESCRIPTION
1	00051510	8	HEXAGON NUT M8-8 A2G
2	00053750	8	WASHER A8,4-140HV-ST A2G
3	00527690	6	ANGLE JOINT
4	00159800	3	GAS SPRING
5	00975080	1	ANGLE
6	00053720	3	WASHER A5,3-140HV-ST A2G
7	00959220	3	SCREW C M5X12-ST A2G TORX
8	00536320	11	HEX.BOLT M8X14-8.8 A2G
9	00042900	20	WASHER 8,4-140HV-ST A3G
10	00035220	1	PLATE
11	00053100	2	HEXAGON SCREW M8X25-8.8 A2G
12	00980770	1	PLATE
13	00980780	1	PLATE
14	00975100	1	HINGE R.H.
15	00980070	1	SIDE DOOR RIGHT
16	00752350	825MM	EDGE PROTECTION
17	00980620	1	HOOD
18	00053080	1	HEXAGON SCREW M8X16 8.8 A2G
19	00461460	160MM	EDGE PROTECTION
20	00975170	1	KEY
21	00975120	1	BOLT LOCK
22	00722180	1	SHEET METAL R.H.
23	00681570	1000MM	EDGE PROTECTION
24	00722190	1	SHEET METAL L.H.
25	00959640	1	BOLT
26	00109720	1	SCREW D M8X18-ST DUO-TAPTITE
27	00975110	2	BUSHING
28	00074260	2	HEX.BOLT M8X60-8.8 A2G
29	00035070	1	FRONT WALL
30	00035210	1	FRONT SCREEN
31	00053040	5	HEX.BOLT M6X30-8.8 A2G
32	00135120	11	WASHER 6,4-140HV-ST A3G
33	00051520	13	HEXAGON NUT M6-6 A2G
34	00975160	1	BOLT
35	00975150	2	ROLLER
36	00551140	3	TAPPING SCREW ST4,8X13-B A2G
37	00975130	1	STEP PLATE
38	00980580	1	FLOOR MAT
41	00053020	1	HEXAGON SCREW M6X20-8.8 A2G
42	00980590	1	BOTTOM PLATE

COVERING (R.H.) (97047799-2)



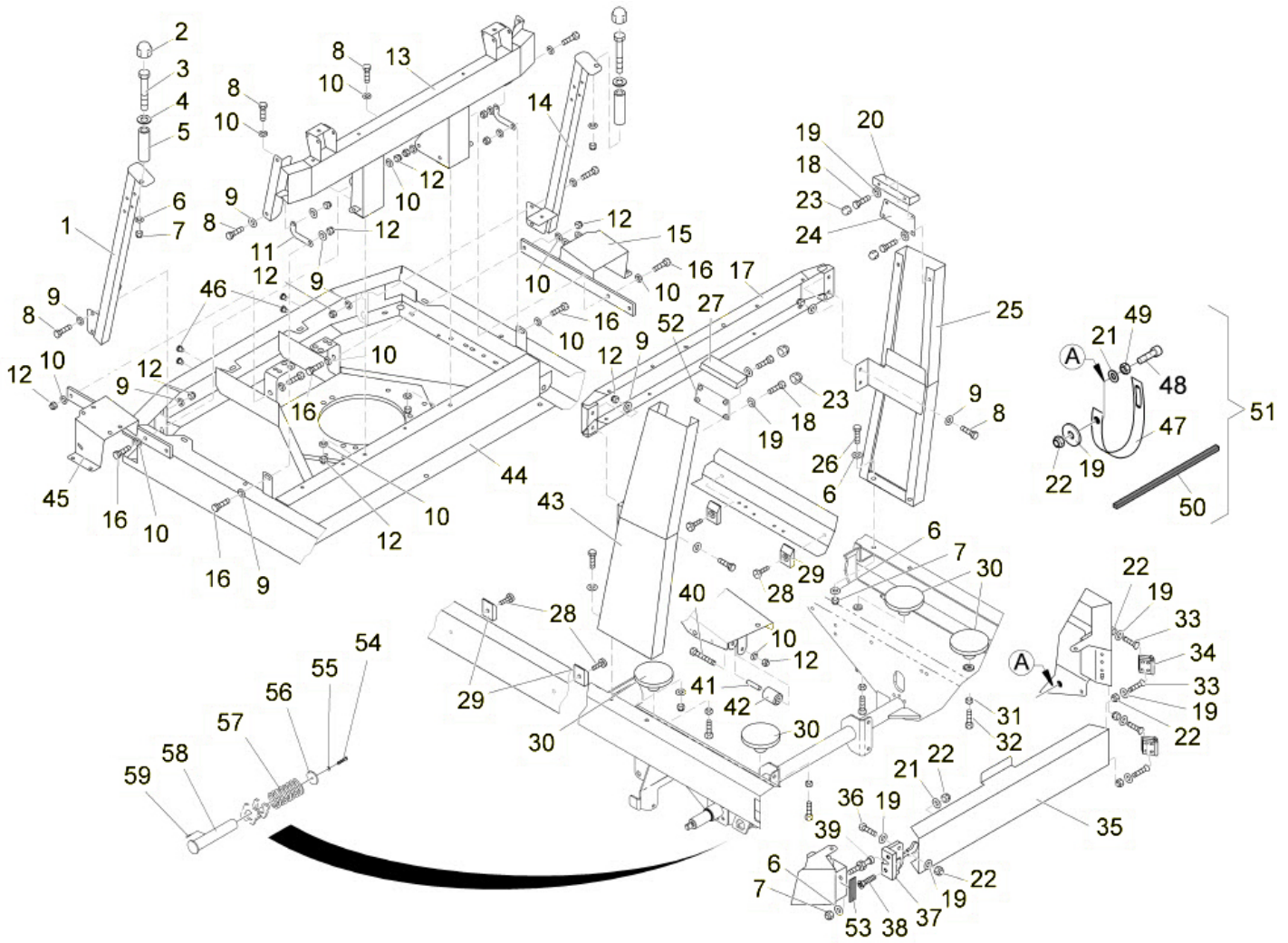
COVERING (R.H.) (97047799-2)			
ITEM	PART NO.	QTY	DESCRIPTION
43	00980570	1	COVER SHEET METAL
44	00522530	2	HINGE
45	00053730	20	WASHER A6,4-140HV-ST A2G
46	00021310	8	COUNTERSUNK SCREW M6X20-4.8-H A2G
47	00053400	1	LOCK WASHER A6-MP-VERZ.,W-CHROM.
48	00053330	1	HEXAGON NUT M6-8 A2G
49	00127470	1	BUFFER
50	00721090	600MM	EDGE PROTECTION
51	00035190	1	FLAP
52	00102290	1	BOLT
54	00980010	1	DOOR LEFT
55	00980030	1	DOOR RIGHT
56	00980800	1	ANGLE
57	00980790	1	PLATE
58	00695730	1	HOLDER
59	00023640	1	CABLE CLIP
60	01177820	1	BLIND RIVET
61	00035700	1	FLAP (FOR SIDE SCRUBBING UNIT)
62	00155070	4	CYLINDER PIN 10M6X50

FRAME (97042337)



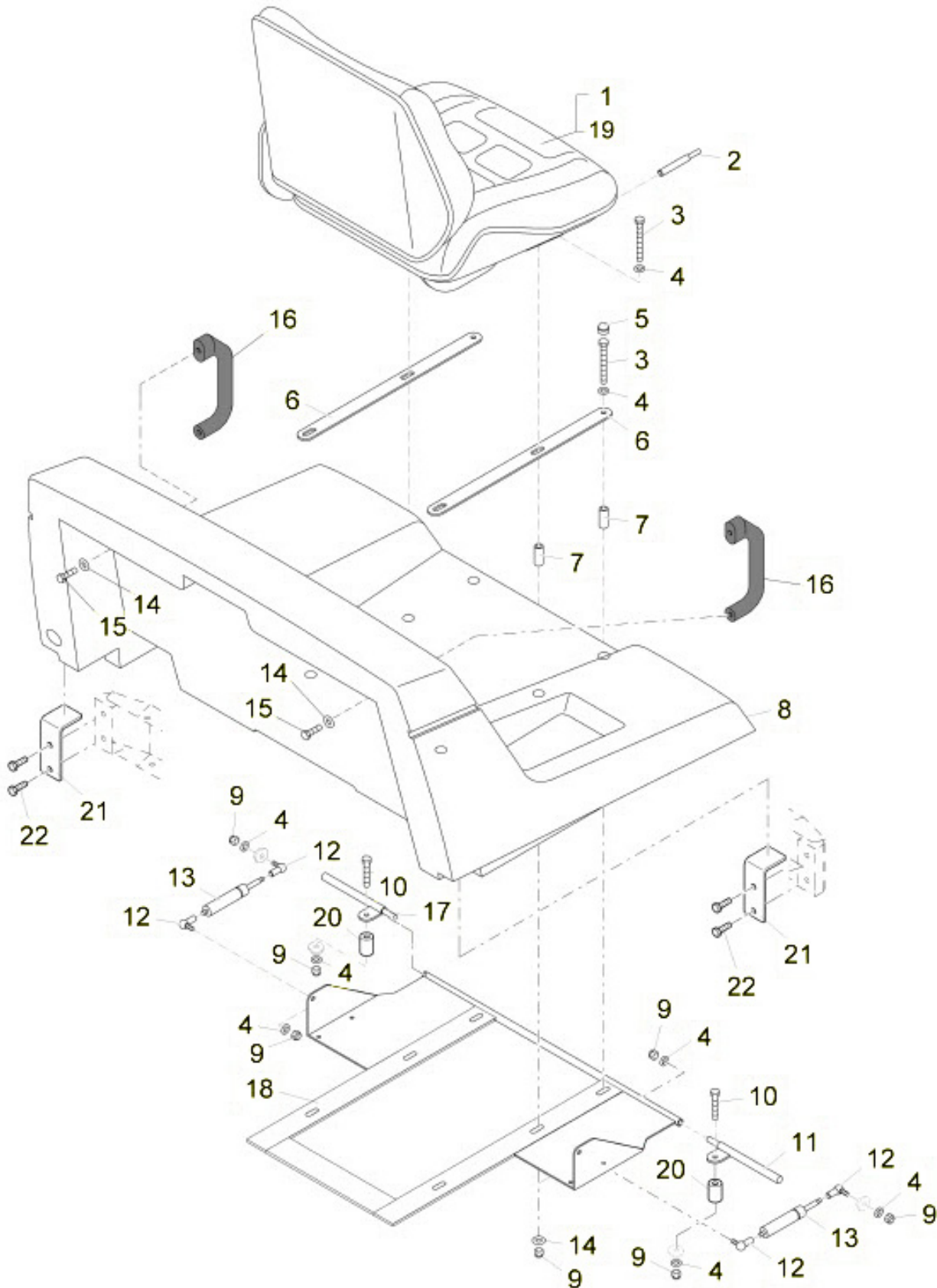
FRAME (97042337)			
ITEM	PART NO.	QTY	DESCRIPTION
1	00035170	1	SUPPORT LEFT
2	00747210	2	LENS CAP
3	00157410	2	HEX.BOLT M10X85-8.8 A3G
4	01177570	2	WASHER
5	00974240	2	SLEEVE
6	00053760	13	WASHER A10,5-140HV-ST A2G
7	00051500	11	HEXAGON NUT M10-6 A2G
8	00053100	14	HEXAGON SCREW M8X25-8.8 A2G
9	00042900	24	WASHER 8,4-140HV-ST A3G
10	00053750	18	WASHER A8,4-140HV-ST A2G
11	00974310	2	BRACKET
12	00051510	21	HEXAGON NUT M8-8 A2G
13	00035150	1	CARRIER
14	00035160	1	SUPPORT RIGHT
15	00980420	1	PROP RIGHT
16	00053110	6	HEXAGON SCREW M8X30-8.8 A2G
17	00035140	1	CARRIER
18	00053010	8	HEX.BOLT M6X16-8.8 A2G
19	00135120	18	WASHER 6,4-140HV-ST A3G
20	00974280	1	HOOD R.H.
21	00053730	8	WASHER A6,4-140HV-ST A2G
22	00051520	14	HEXAGON NUT M6-6 A2G
23	00525910	8	LENS CAP
24	01073230	1	PLATE R.H.,
25	00035120	1	SPAR FRAME
26	00053160	4	HEXAGON SCREW M10X30-8.8 A3G
27	00974270	1	HOOD L.H.
28	00109720	4	SCREW D M8X18-ST DUO-TAPTITE
29	00974300	4	SPACER PIECE
30	00974220	4	WASHER
31	00053360	4	HEXAGON NUT M10-8 A3G
32	00051550	4	HEX.BOLT M10X65-8.8 A3G
33	00021310	8	COUNTERSUNK SCREW M6X20-4.8-H A2G
34	00522530	2	HINGE
35	00035110	1	CARRIER

FRAME (97042337)



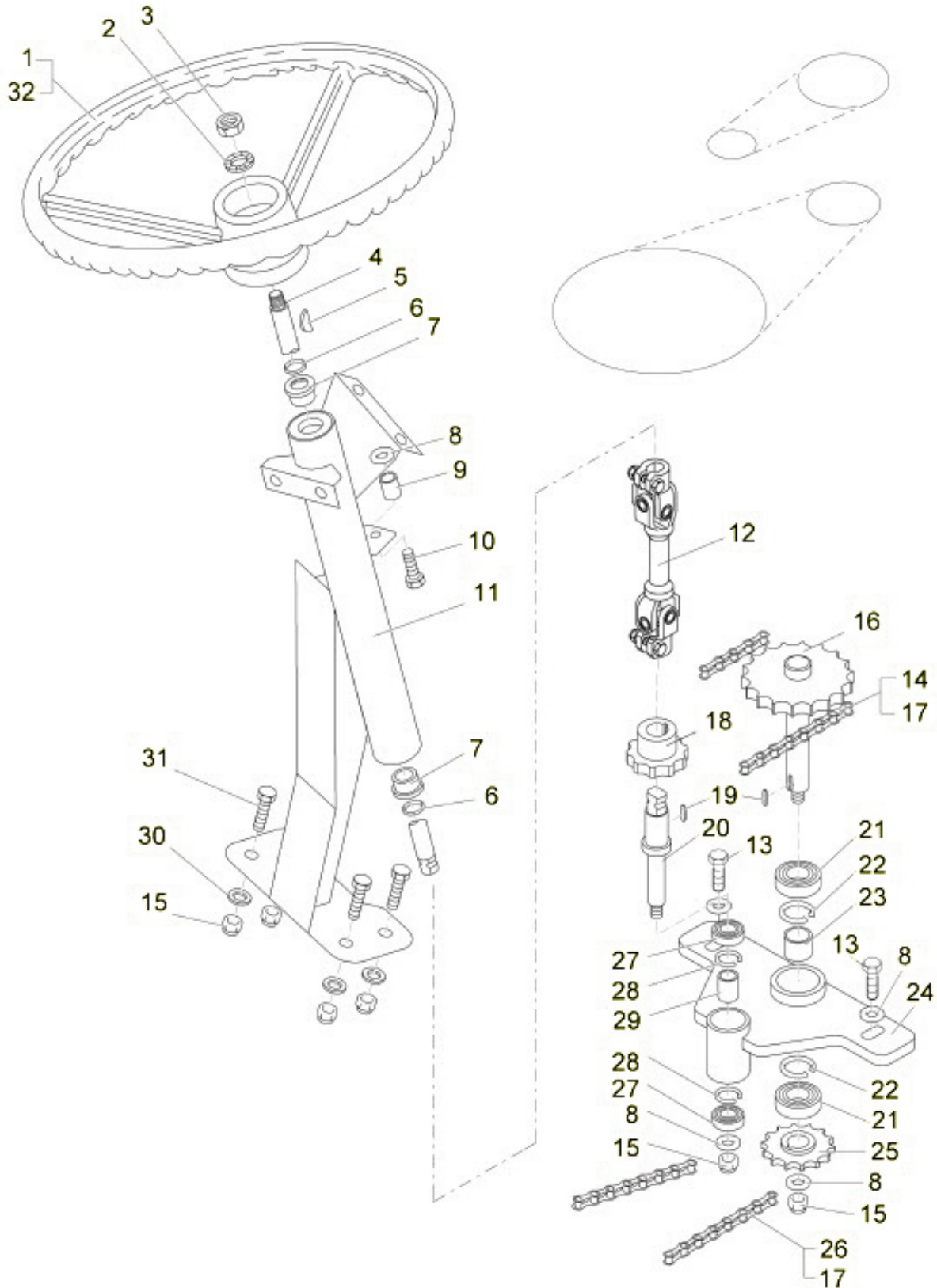
FRAME (97042337)			
ITEM	PART NO.	QTY	DESCRIPTION
36	00053040	2	HEX.BOLT M6X30-8.8 A2G
37	00078200	1	CAB LOCK R.H.
38	00551160	2	SCREW M6X25-4.8-H A2G
39	00877070	1	BOLT
40	00557600	1	HEX.BOLT M8X70-8.8 A2G
41	00974250	1	SPACER PIECE
42	00974260	1	ROLLER
43	00035130	1	SPAR FRAME
44	00035100	1	CHASSIS
45	00980440	1	PROP LEFT
46	00906060	4	DRAIN PLUG
47	01070570	2	RUBBER GASKET
49	00053330	2	HEXAGON NUT M6-8 A2G
50	00161240	800MM	EDGE PROTECTION 10,5X17
51	01070330	1	MODIFICATION KIT CHASSIS
52	01073240	1	PLATE L.H.,
53	00865630	1000MM	SEALING TAPE
54	00053030	4	HEXAGON SCREW M6X25-8.8 A2G
55	00053400	4	LOCK WASHER A6-MP-VERZ.,W-CHROM.
56	00952720	4	WASHER
57	00952730	4	PRESSURE SPRING
58	00952710	4	BOLT
59	00900390	4	CYLINDER PIN 4M6X20-ST

SEAT GROUP (97103477)



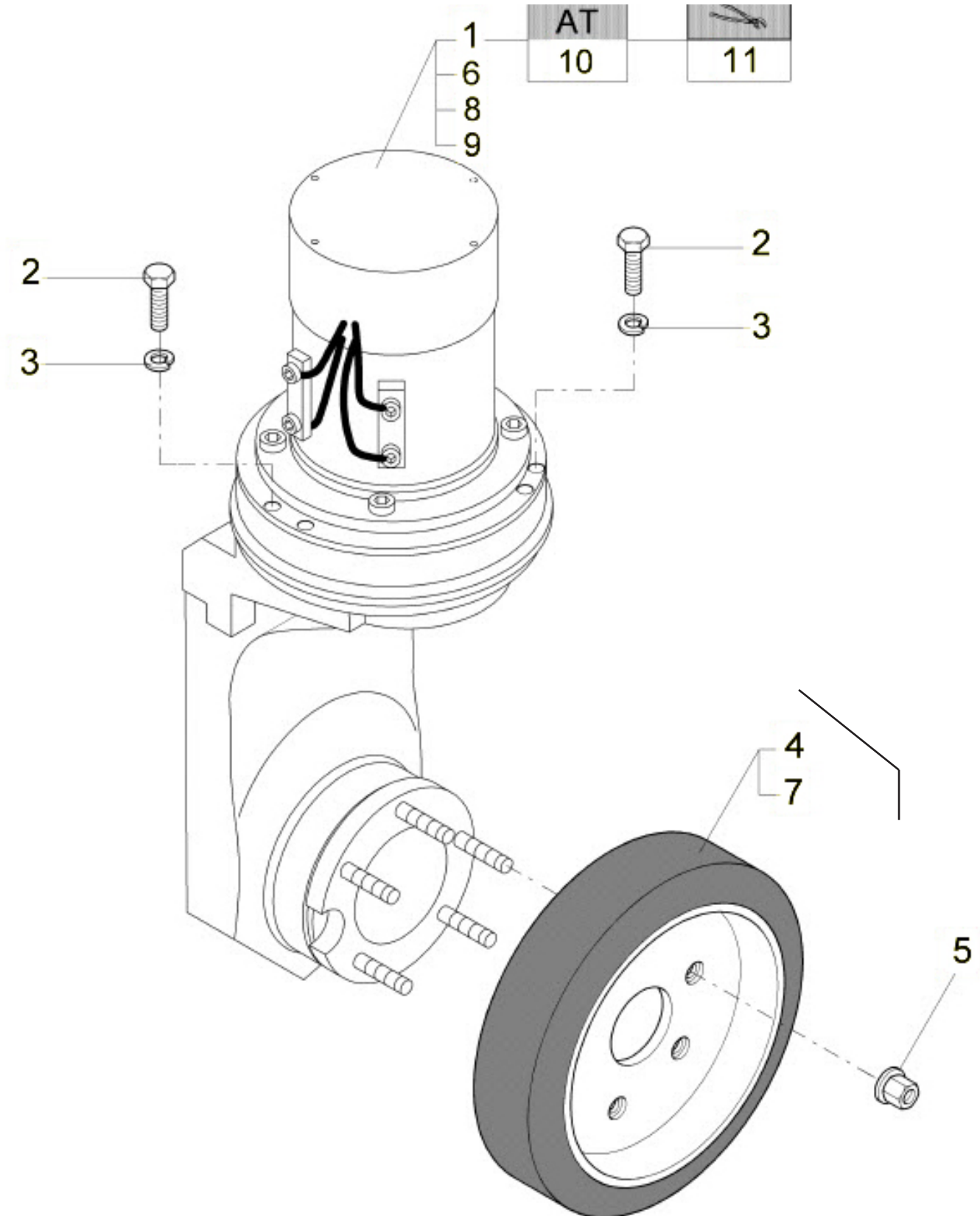
SEAT GROUP (97103477)			
ITEM	PART NO.	QTY	DESCRIPTION
1	99709300	1	COMFORT SEAT
2	00975210	1	ADAPTER
3	00557600	6	HEX.BOLT M8X70-8.8 A2G
4	00053750	10	WASHER A8,4-140HV-ST A2G
5	00131610	2	LENS CAP
6	00980630	2	FITTING STRIP
7	00975110	6	BUSHING
8	00035030	1	SEAT CONSOLE
9	00051510	12	HEXAGON NUT M8-8 A2G
10	00054690	2	HEXAGON SCREW M8X35-8.8 A2G
11	00975180	1	BOLT R.H.
12	00527690	4	ANGLE JOINT
13	00975200	2	GAS SPRING
14	00042900	8	WASHER 8,4-140HV-ST A3G
15	00053080	4	HEXAGON SCREW M8X16 8.8 A2G
16	00959630	2	GRASP TYP
17	00975190	1	BOLT L.H.
18	00037010	1	SEAT CONSOLE
19	00041420	1	CONTACT SWITCH FOR SEAT,
20	01177830	2	BUSHING
21	01177840	2	ANGLE
22	00053110	4	HEXAGON SCREW M8X30-8.8 A2G

STEERING (97042352)



STEERING (97042352)			
ITEM	PART NO.	QTY	DESCRIPTION
1	00251100	1	STEERING WHEEL
2	00075290	1	TOOTHED WASHER A16,5 A3G
3	00074350	1	HEX. NUT M16X1,5-17H A3G
4	00980760	1	SHAFT
5	00153600	1	WOODRUFF KEY 5X7.5-ST50
6	00554400	2	O-RING OIL RESISTANT
7	00523630	2	BUSHING
8	00042900	5	WASHER 8,4-140HV-ST A3G
9	00974330	1	SLEEVE
10	00053260	1	HEX.BOLT M8X50-8.8 A2G
11	00980750	1	PIPE
12	00492520	1	CARDAN SHAFT
13	00053100	2	HEXAGON SCREW M8X25-8.8 A2G
14	00911360	1	ROLLER CHAIN
15	00051510	7	HEXAGON NUT M8-8 A2G
16	00975420	1	SHAFT
17	00537280	3	SECTION
18	00521170	1	CHAIN WHEEL
19	00153010	2	FEATHER KEY A6X6X25 ST502
20	00975440	1	SHAFT
21	00046250	2	DEEP GROOVE BALL BEARING 6004-2RSH
22	00154440	2	RETAINING RING 42X1,75 PHOS.
23	00028840	1	BUSHING
24	00980720	1	PLATE
25	00975450	1	CHAIN WHEEL
26	00911340	1	ROLLER CHAIN 10B-1X83 B
27	00538360	2	DEEP GROOVE BALL BEARING 6202-2RS
28	00101660	2	RETAINING RING 35X1,5 PHOS.
29	01177590	1	PIPE
30	00053750	12	WASHER A8,4-140HV-ST A2G
31	00053110	6	HEXAGON SCREW M8X30-8.8 A2G
32	01177600	1	CAP

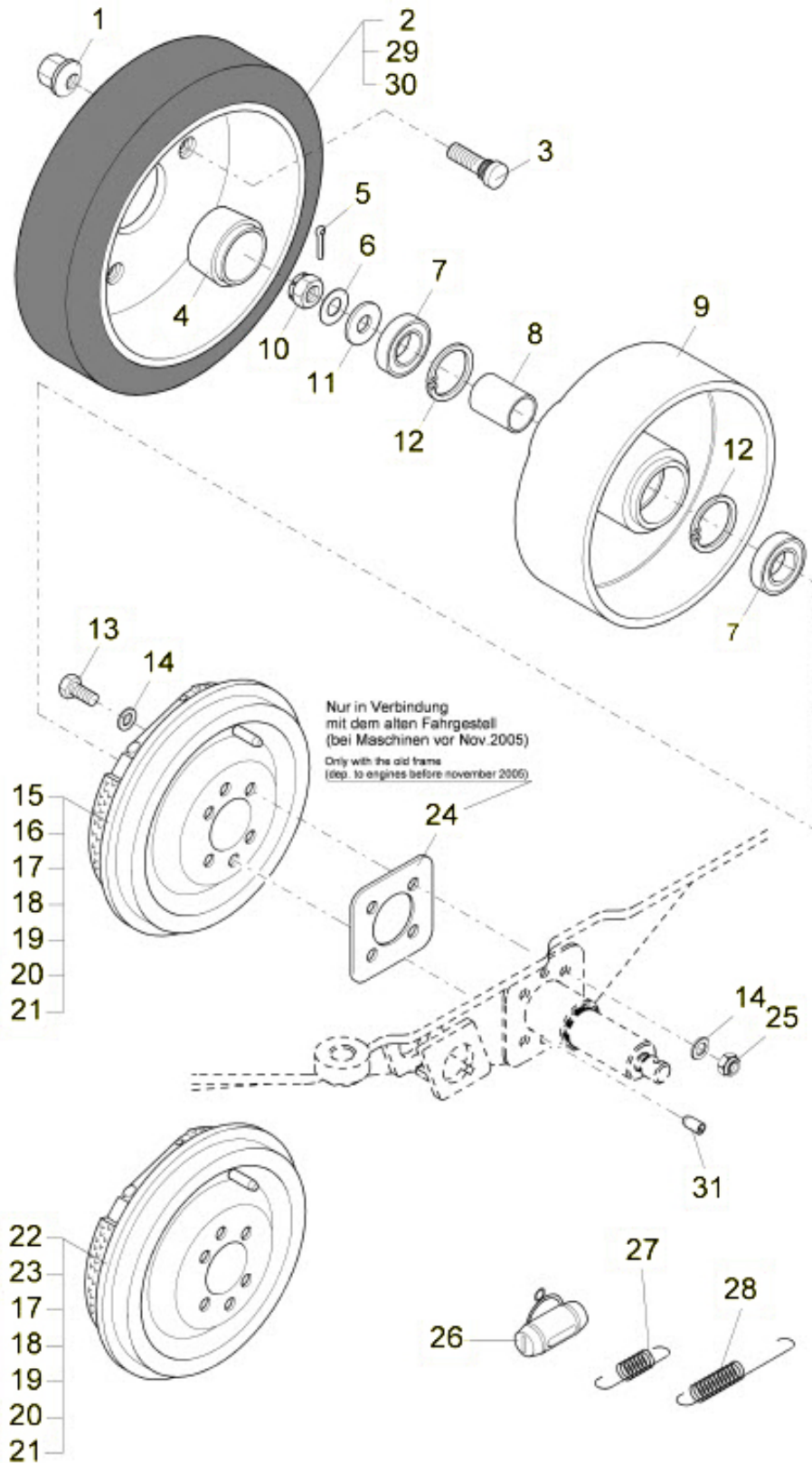
TRAVEL DRIVE (97042329)



PARTS BREAKDOWN

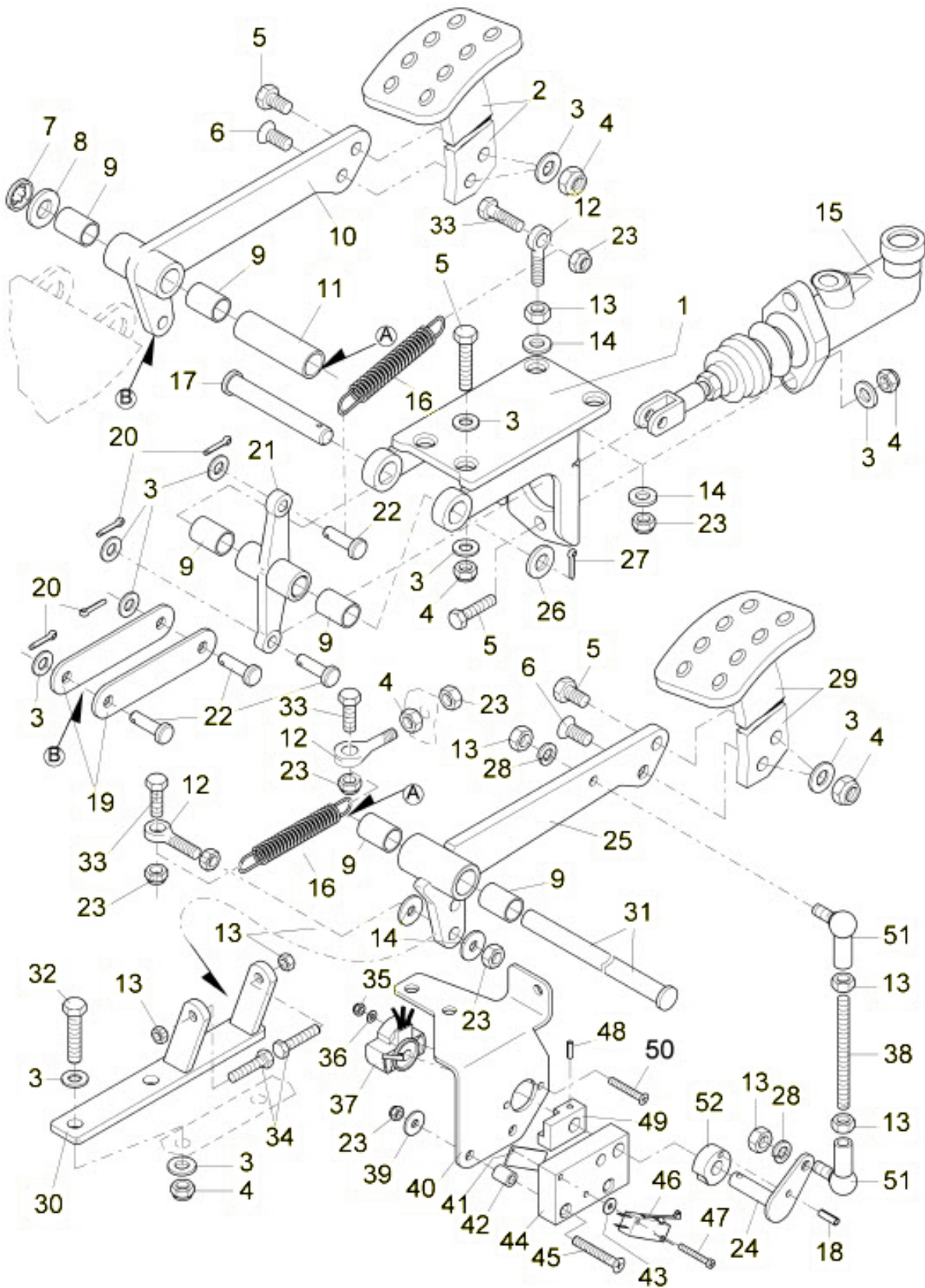
TRAVEL DRIVE (97042329)				
ITEM	PART NO.	QTY	DESCRIPTION	REMARKS
1	00910150	1	WHEEL DRIVE	
2	00155830	6	HEXAGON SCREW M12X35-10.9 A3G	
3	00053430	6	LOCK WASHER A12-MP-VERZ.,W-CHROM.	
4	01051310	1	FRONT WHEEL	
5	00854640	1	SPHERICAL COLLAR NUT A14-8 A3G	
6	00976490	4	CARBON BRUSH	
7	01057120	1	FRONT WHEEL, (SKID-PROOF TYPE)	
8	00912540	1	ROTARY SHAFT SEAL	
9	01177100	1	THERMO GUARD	
10	00000970	1	WHEEL DRIVE	REPLACEMENT PART FOR 00910150
11	03502210	1	MOUNTING TOOL SET FOR DRIVE MOTOR	

REAR WHEEL (97042311)



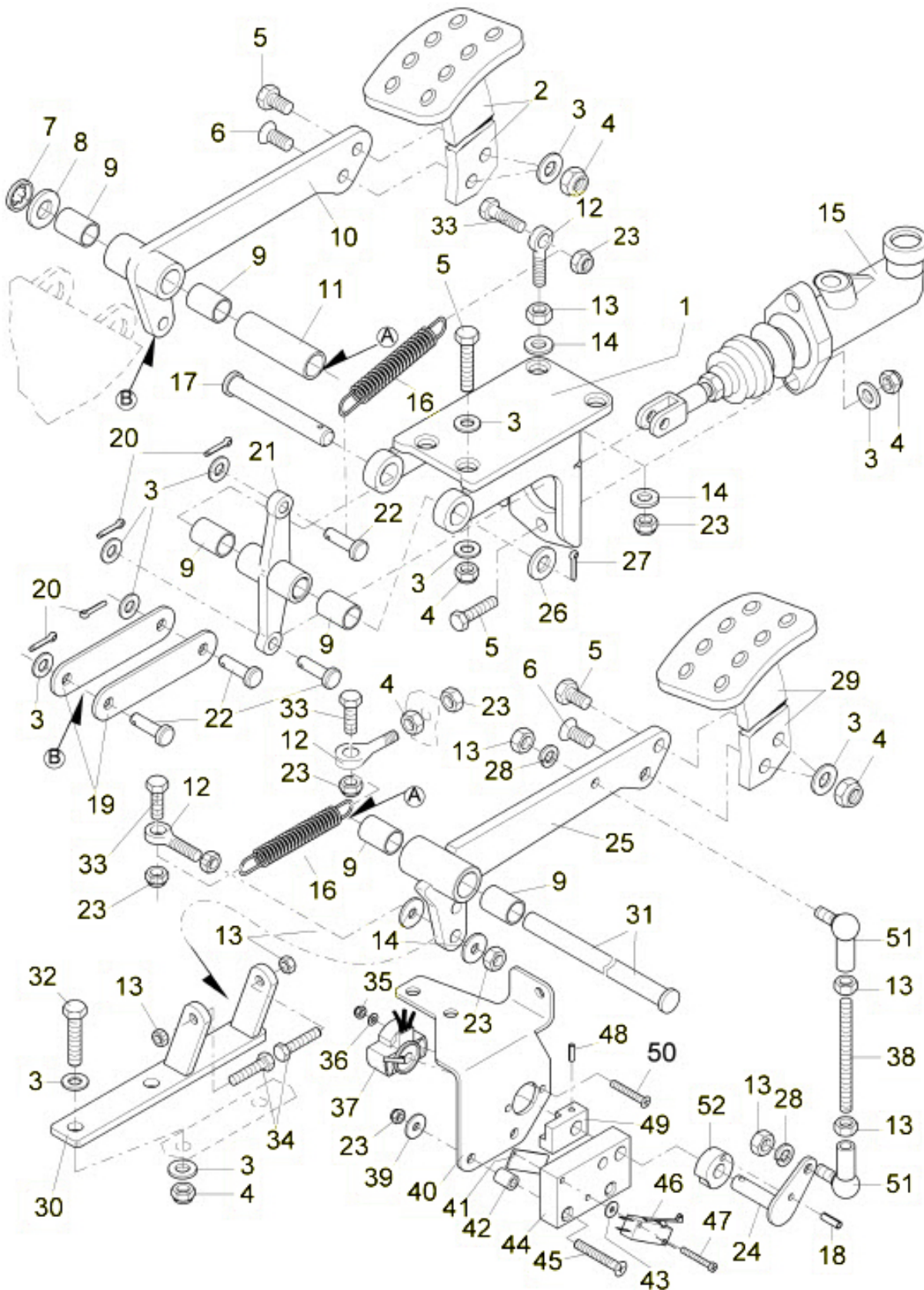
REAR WHEEL (97042311)			
ITEM	PART NO.	QTY	DESCRIPTION
1	00854640	8	SPHERICAL COLLAR NUT A14-8 A3G
2	00981620	2	REAR WHEEL
3	00854630	8	WHEEL BOLT
4	00972080	2	COVER
5	00501370	2	COTTER PIN 3,2X32-ST A3G
6	00155180	1	ADJUSTING WASHER 17X24X1
7	00106500	4	DEEP GROOVE BALL BEARING
8	00925650	2	BUSHING
9	00910020	2	BRAKE DRUM
10	00072360	2	SLOTTED NUT M16-17H A3G
11	00851240	2	WASHER
12	00153110	4	RETAINING RING 55X2 PHOS.
13	00749080	8	HEX.BOLT M8X30-10.9 A2G
14	00053750	8	WASHER A8,4-140HV-ST A2G
15	00321650	1	BRAKE L.H.
16	00141980	1	BRAKE SHOE L.H.
17	00260010	2	BRAKE SHOE,CPL.
18	00525010	4	SEALING COVER
19	00525020	4	ADJUSTING BOLT
20	00525030	2	ADJUSTING KEY
21	00525060	4	PRESSURE SPRING
22	00321680	1	BRAKE R.H.
23	00141950	1	BRAKE SHOE R.H.
24	00972070	2	PLATE
25	00051510	8	HEXAGON NUT M8-8 A2G
26	00109990	2	WHEEL BRAKE CYLINDER
27	00022020	2	TENSION SPRING
28	00966260	2	TENSION SPRING
29	01057130	1	REAR WHEEL L.H. (SKID-PROOF TYPE)
30	01057140	1	REAR WHEEL R.H. (SKID-PROOF TYPE)
31	00072410	4	DOWEL PIN 8X16 A3G

SERVICE BRAKE - ACCELERATOR PEDAL (97042378-1)



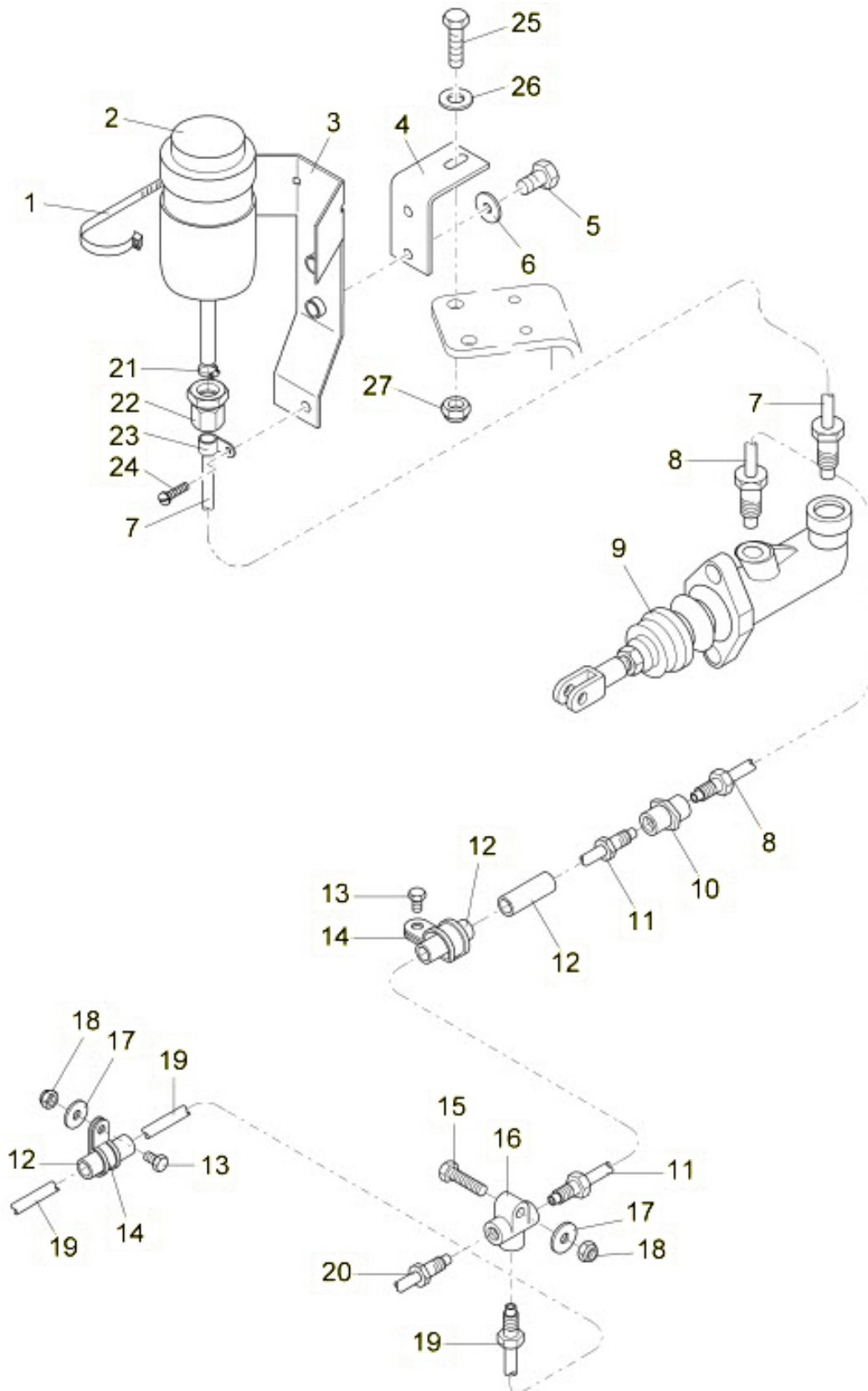
SERVICE BRAKE - ACCELERATOR PEDAL (97042378-1)			
ITEM	PART NO.	QTY	DESCRIPTION
1	00270950	1	RETAINER
2	00270930	1	PEDAL
3	00053750	20	WASHER A8,4-140HV-ST A2G
4	00051510	16	HEXAGON NUT M8-8 A2G
5	00053110	7	HEXAGON SCREW M8X30-8.8 A2G
6	01223150	2	COUNTERSUNK SCREW M8X30
7	00538790	1	THRUST WASHER 15
8	00134780	2	WASHER 16-ST A3G
9	00046560	6	DU-DRYING SOCKET
10	00100480	2	LEVER
11	00974420	1	PIPE
12	00101510	3	EYE BOLT LBM6X55-4.6A2G
13	00053330	7	HEXAGON NUT M6-8 A2G
14	00135120	6	WASHER 6,4-140HV-ST A3G
15	00821160	1	BRAKE CYLINDER
16	00055620	2	TENSION SPRING
17	00100510	1	BOLT
18	01091890	1	DOWEL PIN 3X10-ST
19	00974410	2	BRACKET
20	00054860	3	COTTER PIN 2X16-ST A2G
21	00974390	1	LEVER
22	00706190	3	CLEVIS PIN 8H11X25
23	00051520	7	HEXAGON NUT M6-6 A2G
24	00975490	1	BOLT
25	00100480	2	LEVER
26	00134780	1	WASHER 16-ST A3G
27	00961520	1	COTTER PIN 4X25-ST A3G
28	00053400	2	LOCK WASHER A6-MP-VERZ.,W-CHROM.
29	00974380	1	PEDAL
30	00974350	1	PLATE
31	00974430	1	BOLT
32	00054690	2	HEXAGON SCREW M8X35-8.8 A2G
33	00053020	3	HEXAGON SCREW M6X20-8.8 A2G
34	00053040	3	HEX.BOLT M6X30-8.8 A2G
35	00133830	2	HEX. NUT M4-6 A2G
36	00053710	2	WASHER B4,3-140HV-ST A2G
37	00975500	1	TURN ANGLE TRANSMITTER
38	00071110	1	THREADED ROD
39	00053730	1	WASHER A6,4-140HV-ST A2G
40	00975520	1	ANGLE

SERVICE BRAKE - ACCELERATOR PEDAL (97042378-1)



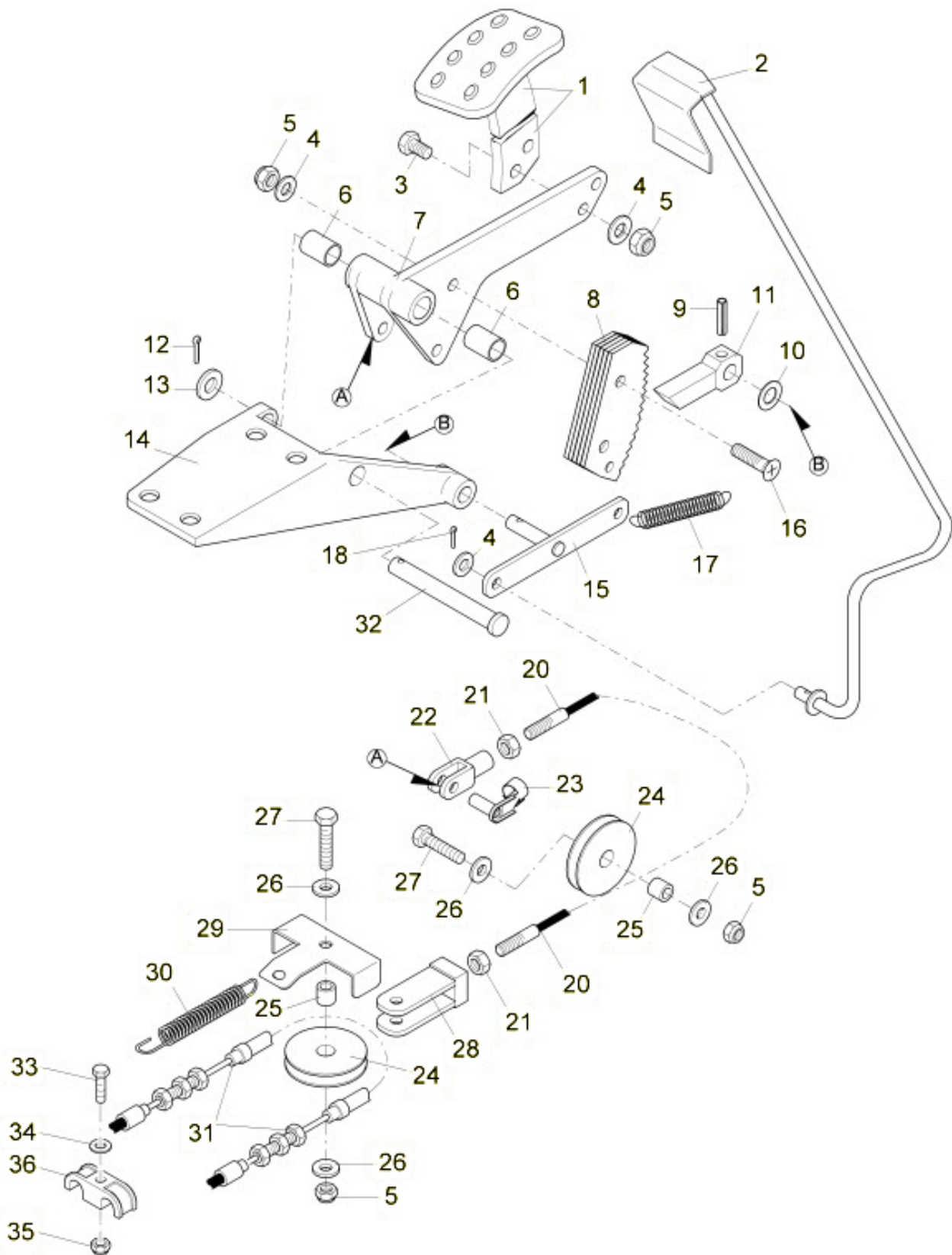
SERVICE BRAKE - ACCELERATOR PEDAL (97042378-1)			
ITEM	PART NO.	QTY	DESCRIPTION
41	01074840	1	THREAD BASE PLATE
42	00926770	2	SPACER SLEEVE
43	00747400	2	WASHER 3,2-140HV-ST A3G
44	00975530	1	PLATE
45	00109500	2	SCREW M6X45-4.8-H A2G
46	00975510	1	MICRO SWITCH
47	00101580	2	FILLISTER-HEAD SCREW M3X35-A2-70-H
48	00152840	1	DOWEL PIN 3X20-ST
49	00975550	1	CARRIER
51	00855580	2	ANGLE JOINT CS10 A2G
52	00975540	1	WASHER

BRAKE AIR CONDUIT SCHEME (97042378-2)



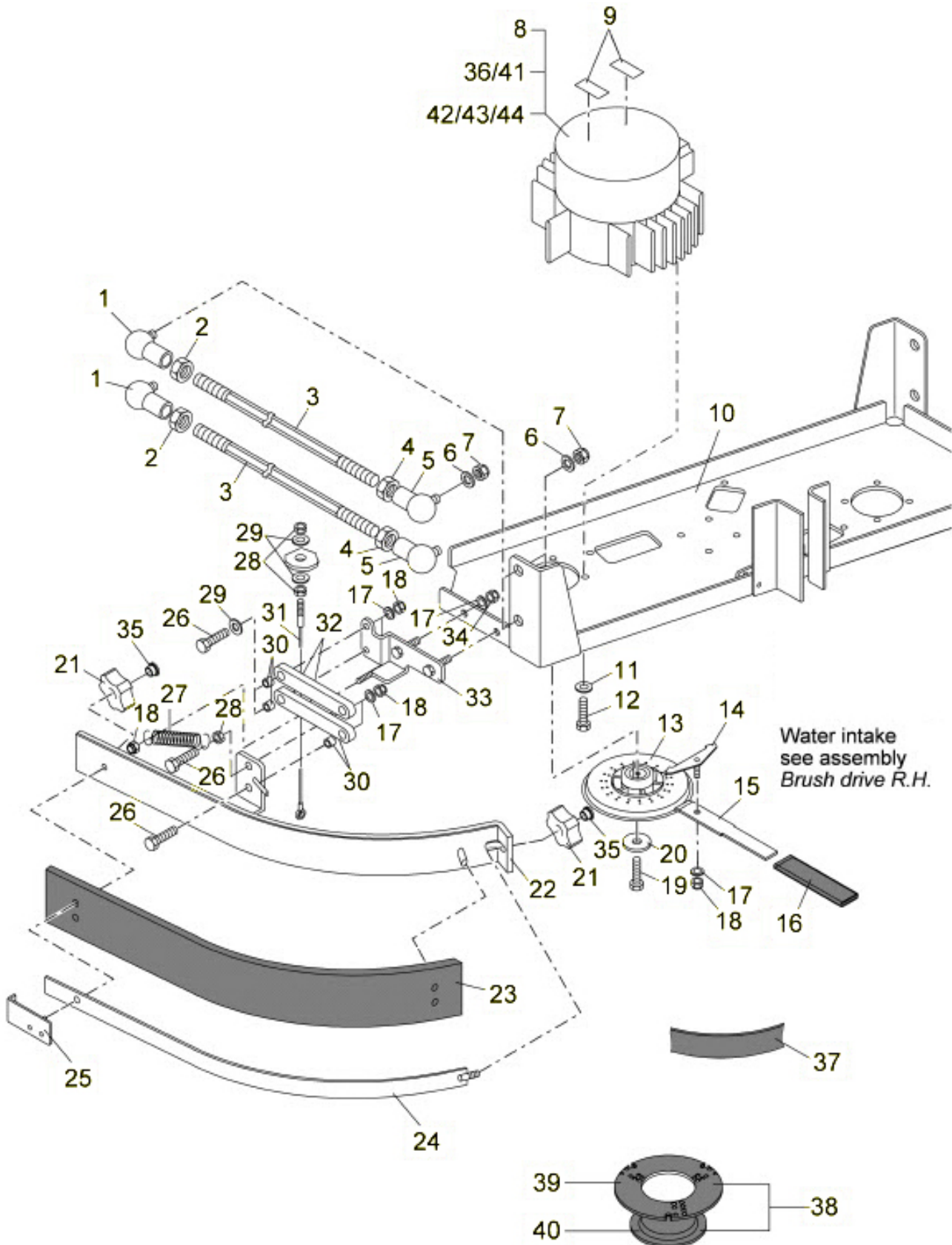
BRAKE AIR CONDUIT SCHEME (97042378-2)			
ITEM	PART NO.	QTY	DESCRIPTION
1	00967760	1	CABLE TIE 4,8X360
2	01052880	1	BRAKE FLUID TANK
3	01052910	1	ANGLE PLATE
4	01052920	1	ANGLE
5	00054410	2	HEX.BOLT M5X16-8.8 A2G
6	00058000	2	WASHER 5,3-140HV-A2
7	01052900	1	BRAKE TUBE
8	00007850	1	BRAKE AIR CONDUIT
9	00821160	1	BRAKE CYLINDER
10	00974470	1	INTERMEDIARY
11	00007890	1	BRAKE AIR CONDUIT
12	00320500	120MM	HOSE 5X2
13	00053030	1	HEXAGON SCREW M6X25-8.8 A2G
14	00109470	2	TUBE CLAMP RSGU 1 10/15 A2G
15	00053290	1	HEXAGON SCREW M6X35-8.8 A2G
16	00862570	1	DISTRIBUTOR M10X1
17	00135120	2	WASHER 6,4-140HV-ST A3G
18	00051520	2	HEXAGON NUT M6-6 A2G
19	00007870	1	BRAKE AIR CONDUIT
20	00007860	1	BRAKE AIR CONDUIT
21	00529390	1	HOSE CLAMP A-8-12X 8-W1-2
22	01052830	1	REDUCING INSET L8/6
23	00100550	1	CLAMP A6
24	00053530	1	LENS HEAD SCREW M5X16-4.8-H A2G
25	00053100	1	HEXAGON SCREW M8X25-8.8 A2G
26	00053750	1	WASHER A8,4-140HV-ST A2G
27	00051510	1	HEXAGON NUT M8-8 A2G

PARKING BRAKE (97042378-3)



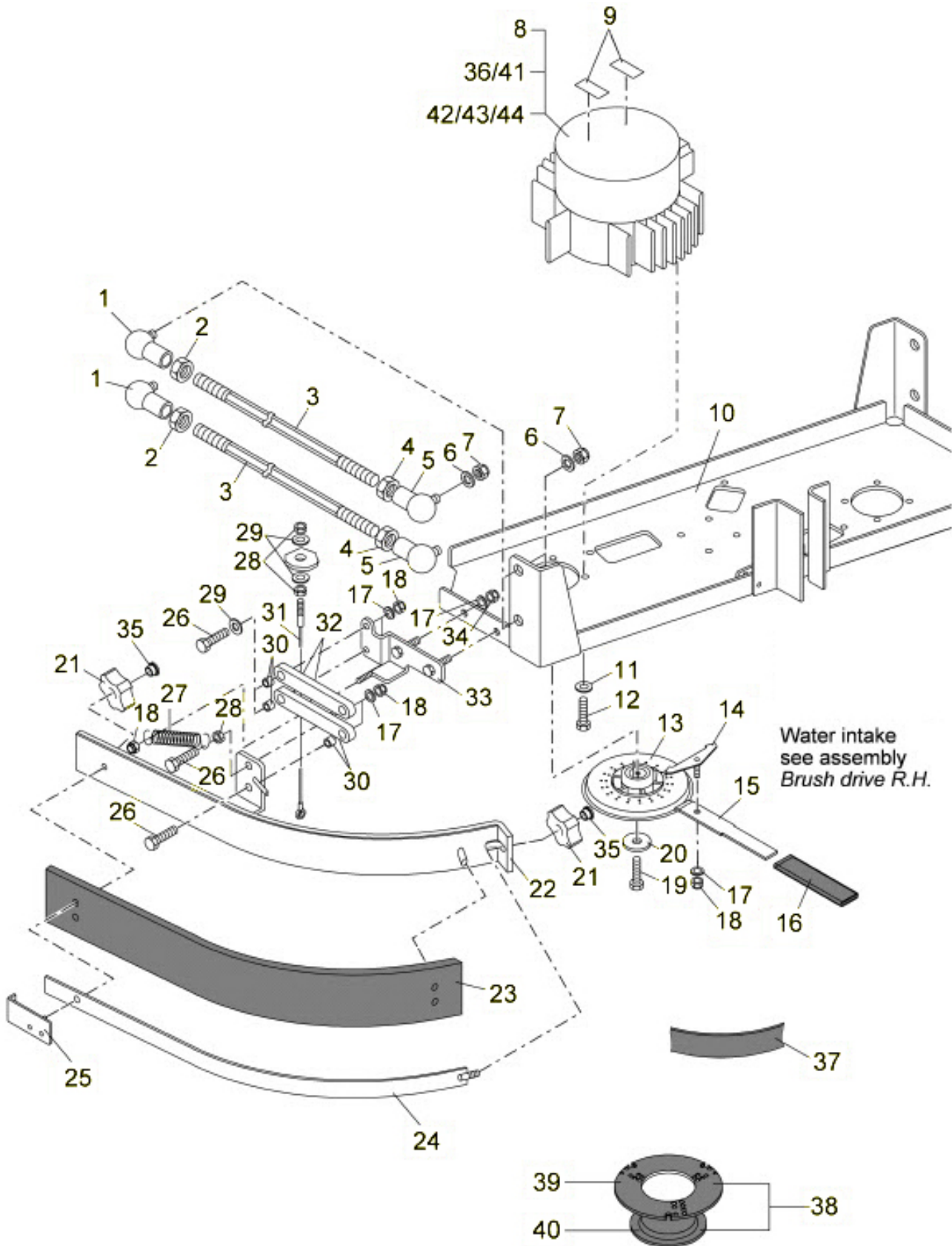
PARKING BRAKE (97042378-3)			
ITEM	PART NO.	QTY	DESCRIPTION
1	00270930	2	PEDAL
2	00980430	1	ROD
3	00053110	2	HEXAGON SCREW M8X30-8.8 A2G
4	00053750	5	WASHER A8,4-140HV-ST A2G
5	00051510	6	HEXAGON NUT M8-8 A2G
6	00046560	2	DU-DRYING SOCKET
7	00270970	1	LEVER
8	00521210	1	CATCH
9	00057580	1	DOWEL PIN 5X32
10	00046720	2	ADJUSTING WASHER 12X18X1
11	00521300	1	CATCH
12	00961520	1	COTTER PIN 4X25-ST A3G
13	00134780	1	WASHER 16-ST A3G
14	00270980	1	RETAINER
15	00974370	1	BOLT
16	00509000	2	COUNTERSUNK SCREW M8X35-8.8 A2G
17	00121330	1	TENSION SPRING
18	00054860	1	COTTER PIN 2X16-ST A2G
20	00974440	1	ROPE
21	00053350	2	HEXAGON NUT M8-8 A2G
22	00027110	1	FORK YOKE G8X32 A2G
23	00706030	1	BOLT 8X32 ESN 01 A2G
24	00521270	2	ROLLER
25	00974400	2	BUSHING
26	00042900	6	WASHER 8,4-140HV-ST A3G
27	00054690	2	HEXAGON SCREW M8X35-8.8 A2G
28	00974340	1	PLATE
29	00974450	1	ANGLE
30	00055620	1	TENSION SPRING
31	00246210	1	BRAKE CABLE
32	00100560	1	BOLT
33	00053040	1	HEX.BOLT M6X30-8.8 A2G
34	00053730	1	WASHER A6,4-140HV-ST A2G
35	00051520	1	HEXAGON NUT M6-6 A2G
36	01073420	1	CLAMP

BRUSH DRIVE, L.H. (97042428-1)



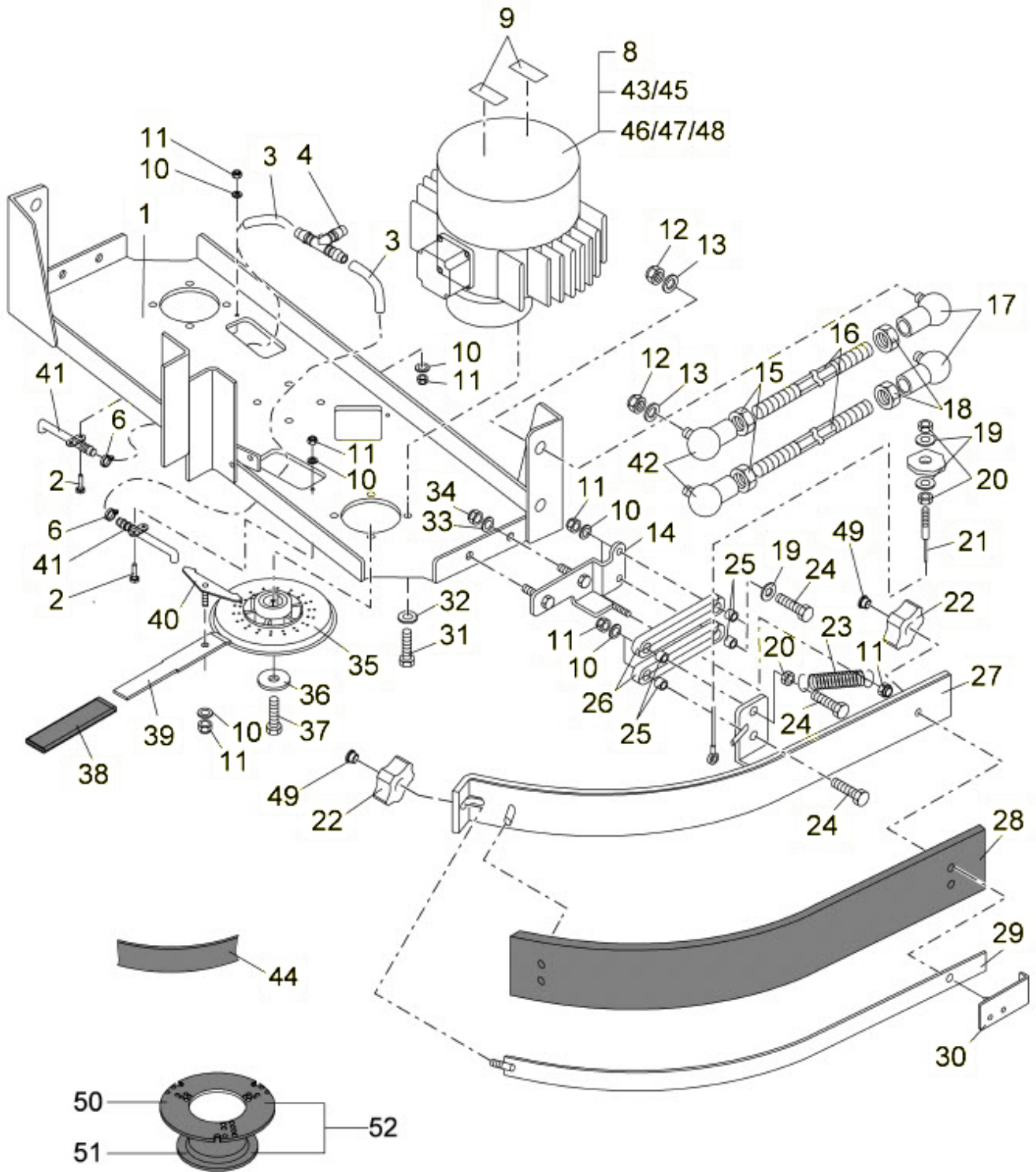
BRUSH DRIVE, L.H. (97042428-1)			
ITEM	PART NO.	QTY	DESCRIPTION
1	00101440	2	HINGED JOINT
2	00053740	2	HEXAGON NUT M14X1,5-17H A3G
3	00970060	2	THREADED ROD
4	00101480	2	HEX. NUT M14X1,5LH-17H A3G
5	00522370	2	HINGED JOINT
6	00053780	2	WASHER A15-140HV-ST A2G
7	00044420	2	HEX. NUT M14X1,5-6 A3G
8	00650230	1	GEARED MOTOR
9	00430880	200MM	FOAM RUBBER, GREY FORM B 20X10
10	00035240	1	SHEET METAL
11	00053750	4	WASHER A8,4-140HV-ST A2G
12	00536320	4	HEX.BOLT M8X14-8.8 A2G
13	00512400	1	CARRIER TYP
14	00952740	2	ANGLE
15	00952750	2	ANGLE
16	01163580	70MM	SHRINKABLE TUBE 19,1 PVC/WEICH
17	00102150	8	WASHER B6,4-140HV-A2
18	00102140	6	HEXAGON NUT M6-A2-70
19	00025000	1	HEX.BOLT M8X25-8.8 A2G(SELBSTS.)
20	00879170	1	WASHER
21	00101470	2	WING NUT M8
22	00980670	1	PROP LEFT
23	00975320	1	STRIPPING RUBBER
24	00980660	1	TIGHTENING STRAP
25	00975270	1	ANGLE L.H.
26	00047910	4	HEX.BOLT M6X45-A2
27	00705310	1	TENSION SPRING
28	00854200	3	HEXAGON NUT M6-A2
29	00854210	4	WASHER 6,4-140HV-A2
30	00975310	4	BUSHING
31	00975340	1	PULL OF THE ROPE
32	00975330	1	LEVER
33	00975290	1	ANGLE L.H.
34	00102140	2	HEXAGON NUT M6-A2-70
35	00902300	2	DRAIN PLUG
36	00976470	4	CARBON BRUSH FOR OLD MOTOR MOUNTED BEFORE MID OF 1999
37	00981150	1	SPLASH GUARD
38	00712010	1	CENTER-LOCK,

BRUSH DRIVE, L.H. (97042428-1)



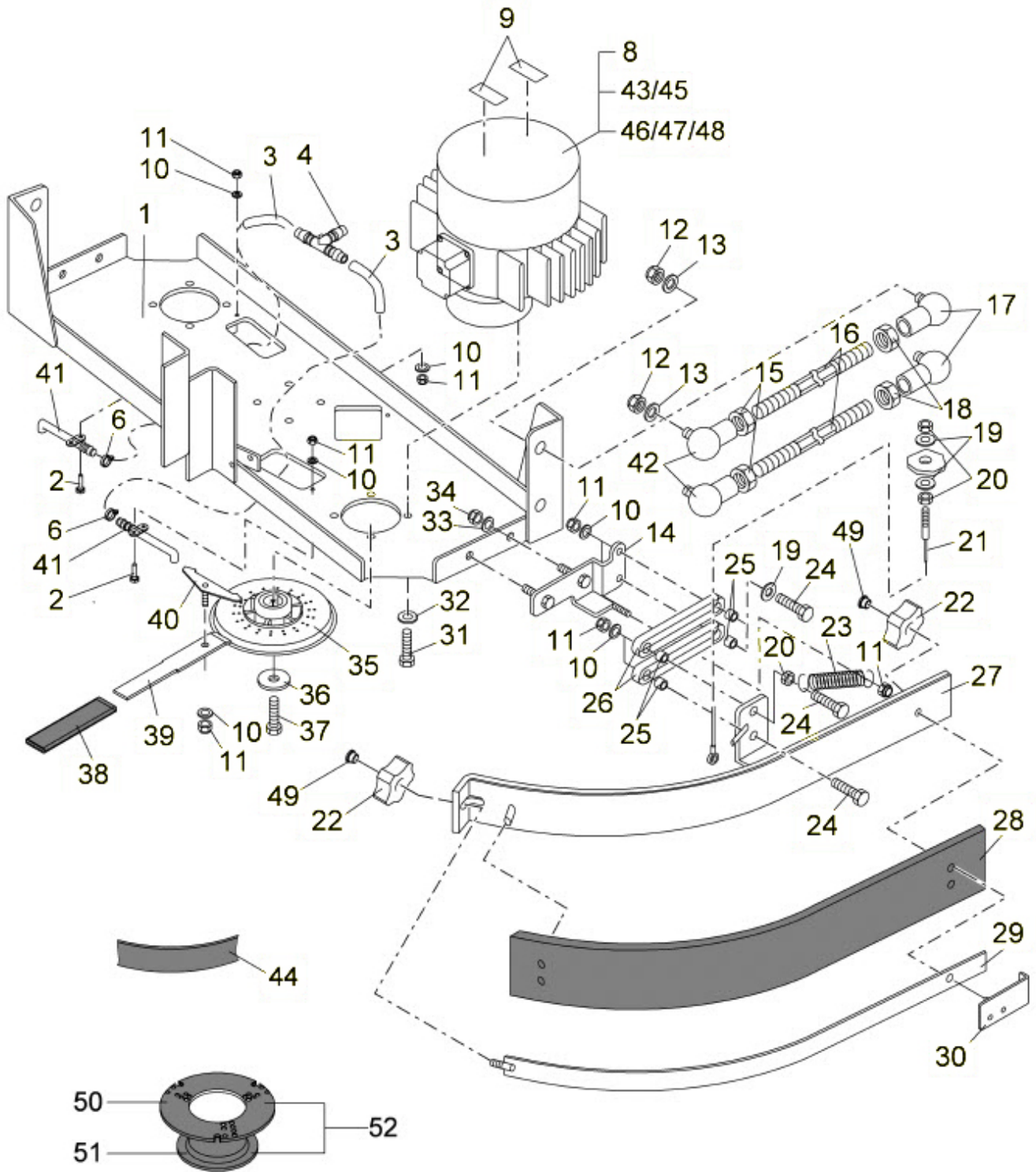
BRUSH DRIVE, L.H. (97042428-1)			
ITEM	PART NO.	QTY	DESCRIPTION
39	00681500	1	CENTER-LOCK, LOWER PART
40	00681490	1	CENTER-LOCK, UPPER PART
41	01054530	4	CARBON BRUSH FOR ACTUAL MOTOR MOUNTED FROM MID OF 1999 (POS.8)
42	00156330	1	SHAFT SEAL 25X35X7-827N
43	00052130	1	DEEP GROOVE BALL BEARING 6005
44	00693160	1	DEEP GROOVE BALL BEARING 6302-2RS

BRUSH DRIVE, R.H. (97042428-2)



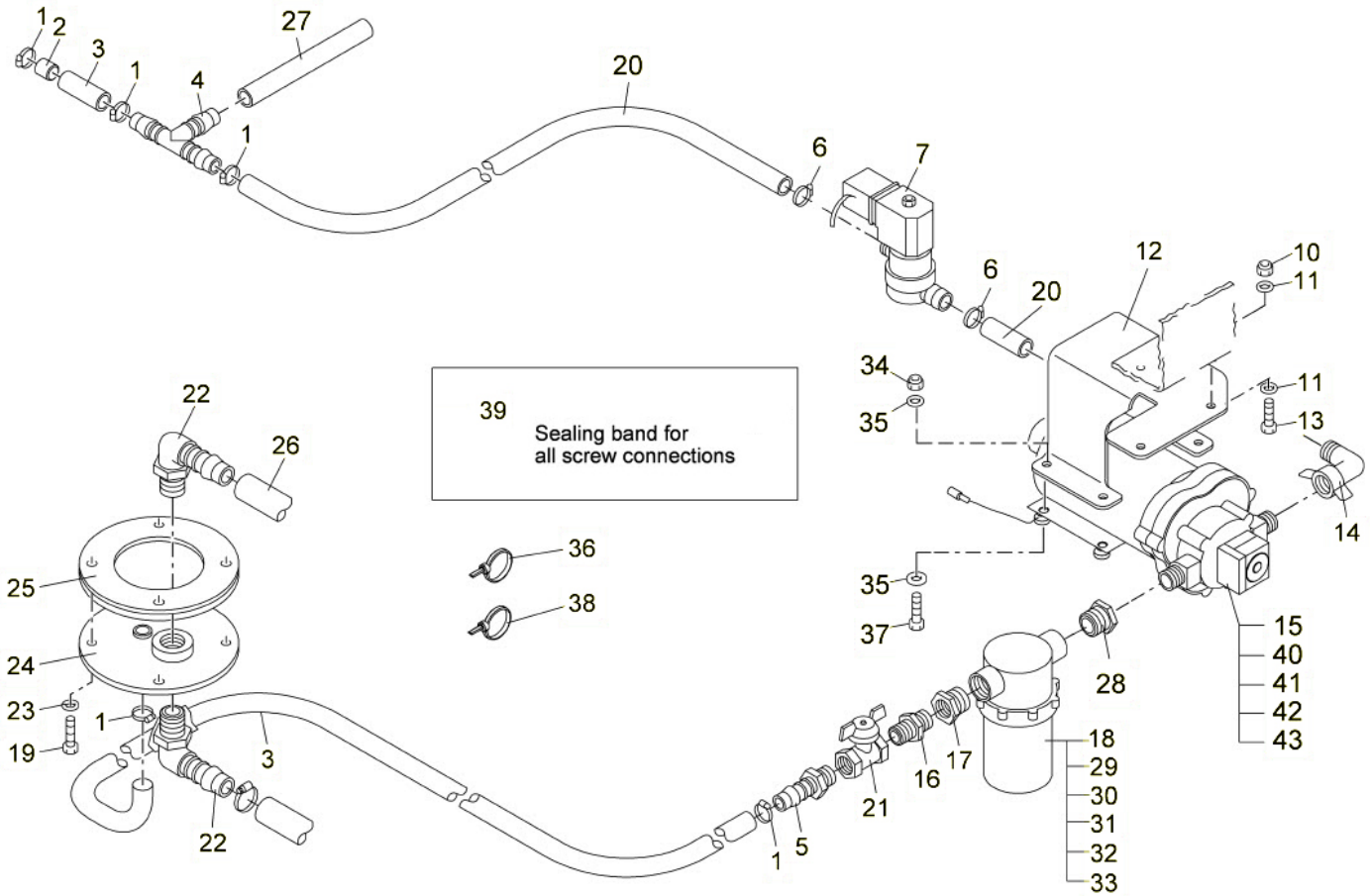
BRUSH DRIVE, R.H. (97042428-2)			
ITEM	PART NO.	QTY	DESCRIPTION
1	00101440	2	HINGED JOINT
2	00053740	2	HEXAGON NUT M14X1,5-17H A3G
3	00970060	2	THREADED ROD
4	00101480	2	HEX. NUT M14X1,5LH-17H A3G
5	00522370	2	HINGED JOINT
6	00053780	2	WASHER A15-140HV-ST A2G
7	00044420	2	HEX. NUT M14X1,5-6 A3G
8	00650230	1	GEARED MOTOR
9	00430880	200MM	FOAM RUBBER,
10	00035240	1	SHEET METAL
11	00053750	4	WASHER A8,4-140HV-ST A2G
12	00536320	4	HEX.BOLT M8X14-8.8 A2G
13	00512400	1	CARRIER TYP
14	00952740	2	ANGLE
15	00952750	2	ANGLE
16	01163580	2	SHRINKABLE TUBE
17	00102150	8	WASHER B6,4-140HV-A2
18	00102140	6	HEXAGON NUT M6-A2-70
19	00025000	1	HEX.BOLT M8X25-8.8 A2G(SELBSTS.)
20	00879170	1	WASHER
21	00101470	2	WING NUT M8
22	00980670	1	PROP LEFT
23	00975320	1	STRIPPING RUBBER
24	00980660	1	TIGHTENING STRAP
25	00975270	1	ANGLE L.H.
26	00047910	4	HEX.BOLT M6X45-A2
27	00705310	1	TENSION SPRING
28	00854200	3	HEXAGON NUT M6-A2
29	00854210	4	WASHER 6,4-140HV-A2
30	00975310	4	BUSHING
31	00975340	1	PULL OF THE ROPE
32	00975330	1	LEVER
33	00975290	1	ANGLE L.H.
34	00102140	2	HEXAGON NUT M6-A2-70
35	00902300	2	DRAIN PLUG
36	00976470	4	CARBON BRUSH FOR OLD MOTOR MOUNTED BEFORE MID OF 1999
37	00981150	1	SPLASH GUARD
38	00712010	1	CENTER-LOCK,

BRUSH DRIVE, R.H. (97042428-2)



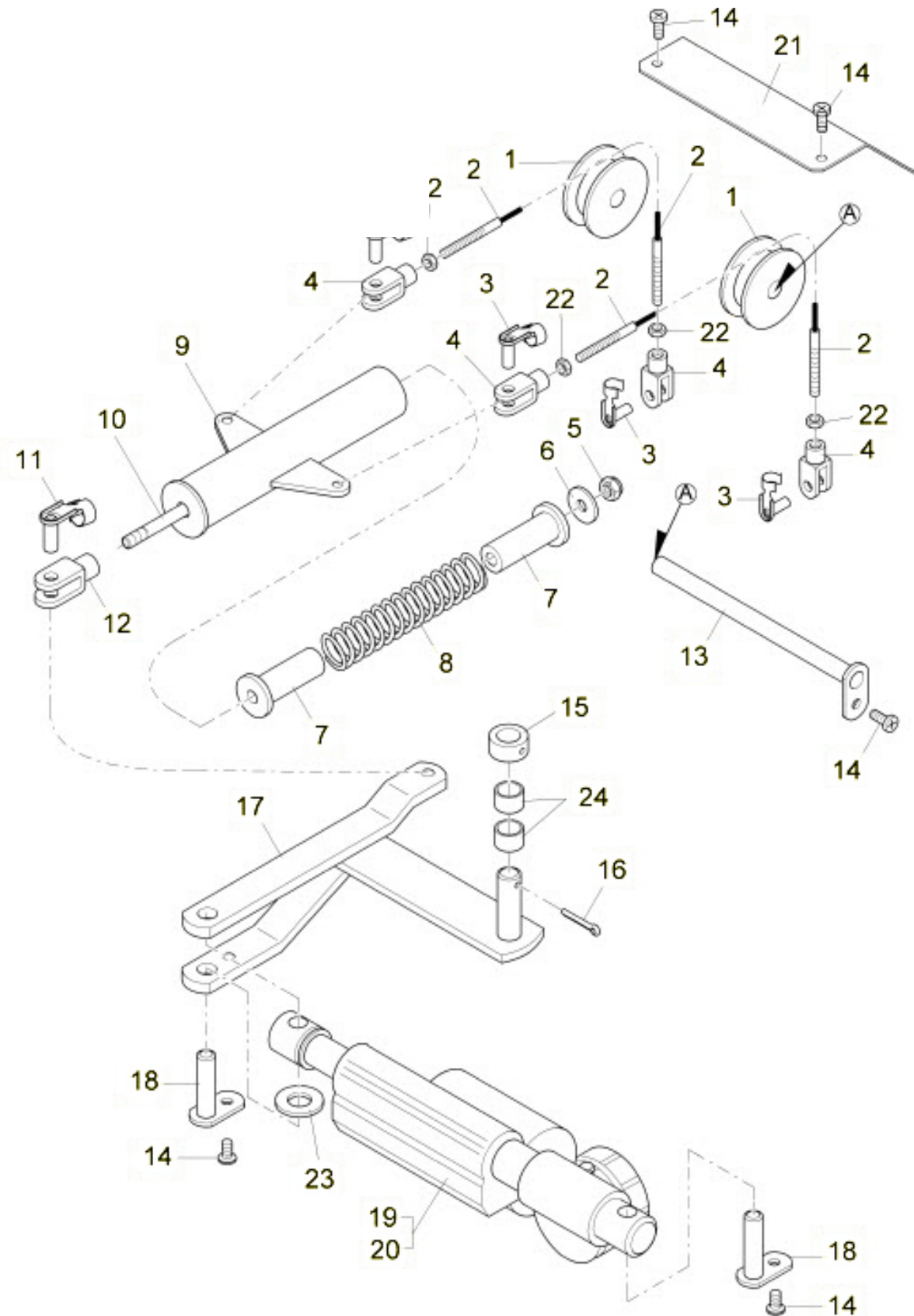
BRUSH DRIVE, R.H. (97042428-2)			
ITEM	PART NO.	QTY	DESCRIPTION
39	00681500	1	CENTER-LOCK, LOWER PART
40	00681490	1	CENTER-LOCK, UPPER PART
41	01054530	4	CARBON BRUSH FOR ACTUAL MOTOR MOUNTED FROM MID OF 1999 (POS.8)
42	00156330	1	SHAFT SEAL 25X35X7-827N
43	00052130	1	DEEP GROOVE BALL BEARING 6005
44	00693160	1	DEEP GROOVE BALL BEARING 6302-2RS

WATER INFEED (BRUSH) (97048219)



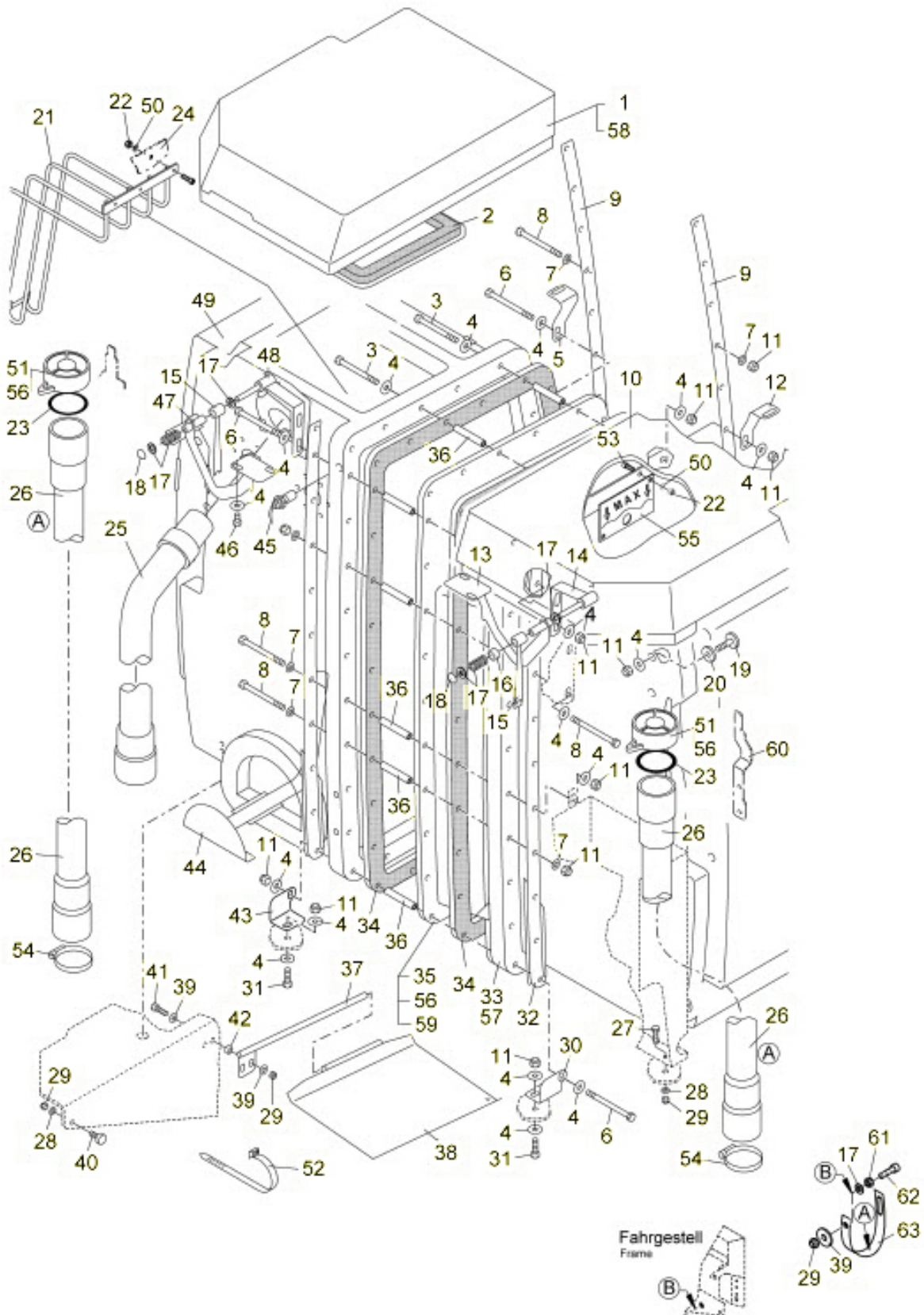
WATER INFEEED (BRUSH) (97048219)			
ITEM	PART NO.	QTY	DESCRIPTION
1	00074300	4	HOSE CLAMP A-8-16X 9-W2-2
2	00976150	1	BOLT
3	00171030	750MM	HOSE 12X2 PVC-TRANSP.
4	00976160	1	T-PIECE
5	00976140	1	SCREWING IN CONNECTING PIECE
6	00874590	4	HOSE CLAMP A-16-25X 9-W1-2
7	00563220	1	ELECTROVALVE 24V/2,5-BAR
10	00051520	2	HEXAGON NUT M6-6 A2G
11	00053730	4	WASHER A6,4-140HV-ST A2G
12	00722250	1	SUPPORT
13	00053020	2	HEXAGON SCREW M6X20-8.8 A2G
14	00154140	1	SCREWED ANGLE FITTING
15	00543750	1	PUMP 24V DC
16	00861750	1	DOUBLE NIPPLE
17	00972490	1	REDUCER PIECE
18	00972460	1	FILTER
19	00053030	4	HEXAGON SCREW M6X25-8.8 A2G
20	00200170	800MM	PVC HOSE 13X3,5 TRANSP.
21	00952760	1	BALL TAP
22	00059660	2	ANGLE SOCKET
23	00053400	4	LOCK WASHER A6-MP-VERZ.,W-CHROM.
24	00976120	1	PLATE
25	00976130	1	SEAL
26	00431370	400MM	PRESSURE HOSE 18,5 RAU/PVC SW/GR-TRANSP.
27	00112010	140MM	HOSE 12X3 PVC-WEICH
28	00730840	1	REDUCING NIPPLE "3/4""-1/2""
29	00952660	1	STRAINING CAP
30	00952670	1	ADAPTER
31	00952680	1	GASKET
32	00952690	1	HIGH-GRADE STEEL FILTER 300YM
33	00952680	1	O-RING OIL RESISTANT 30X2 85
34	00051340	4	HEXAGON NUT M5-6 A2G
35	00555520	8	WASHER 5,3-140HV-ST A3G
36	00121150	1	CABLE TIE
37	00874650	4	HEX.BOLT M5X35-8.8 A2G
38	00967760	1	CABLE TIE 4,8X360
39	03007630	1000MM	SEALING BAND ELRING N 12X0,1 TEFLON
40	00559670	1	CASE
41	00083640	1	PLASTIC COVER
42	00083650	1	PLASTIC COVER
43	00903190	1	TAB

BRUSH LIFTING (97042410)



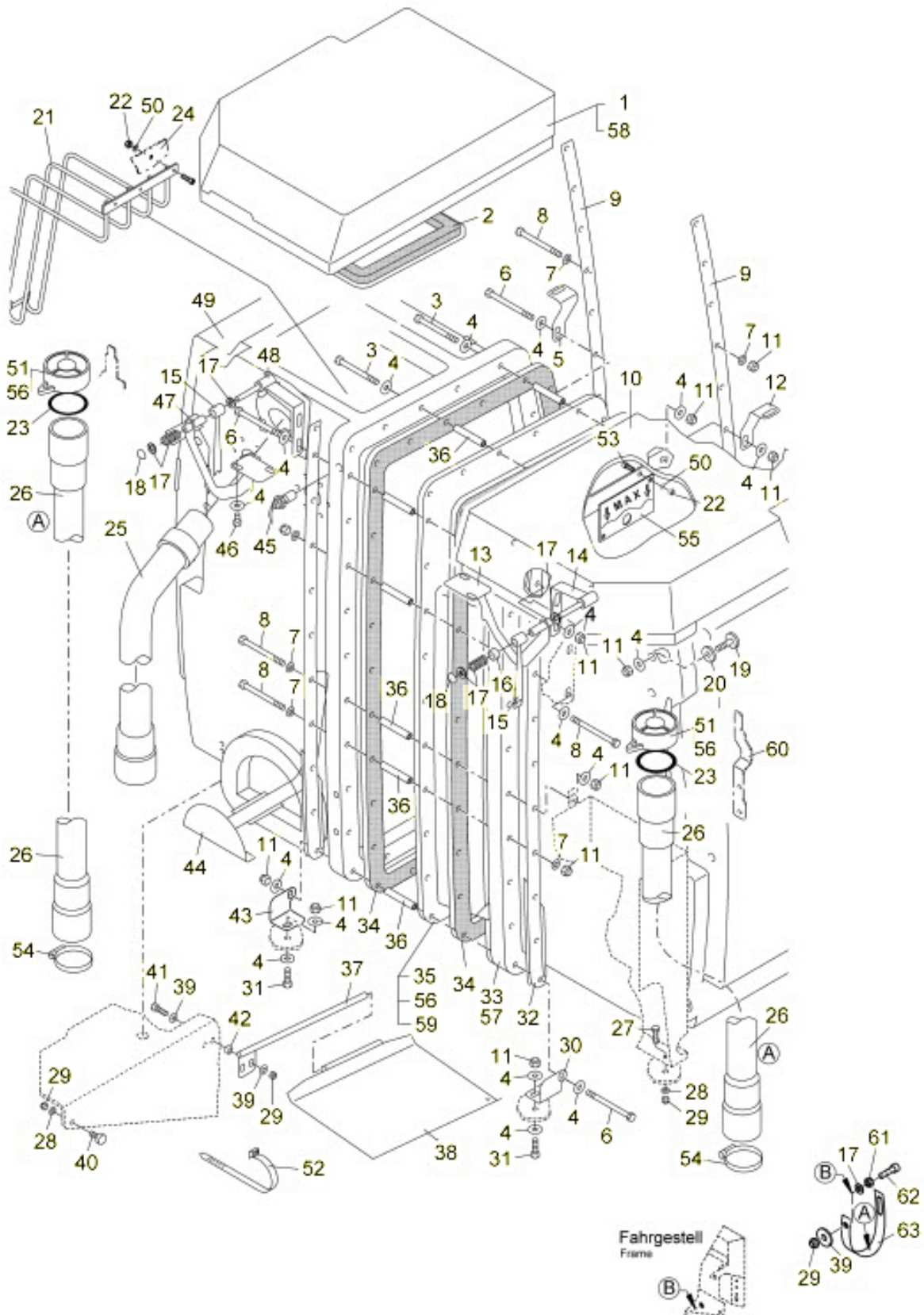
BRUSH LIFTING (97042410)			
ITEM	PART NO.	QTY	DESCRIPTION
1	00972140	2	ROLLER
2	00975240	2	HAULING CABLE
3	00851590	4	BOLT 6X24 ESN 01 A2G
4	00851570	4	FORK YOKE G6X24 A2G
5	00051510	1	HEXAGON NUT M8-8 A2G
6	00042900	1	WASHER 8,4-140HV-ST A3G
7	00975470	2	BUSHING
8	00975480	1	PRESSURE SPRING
9	00980730	1	PIPE
10	00975460	1	THREADED ROD
11	00151400	1	BOLT 8X16 ESN 01 A2G
12	00151440	1	FORK YOKE G8X16-A3G
13	00975220	1	BOLT
14	00959220	5	SCREW C M5X12-ST A2G TORX
15	00975250	1	PIPE
16	00139930	1	COTTER PIN 4X32-ST A3G
17	00980640	1	ANGLE
18	00975230	2	BOLT
19	00650110	1	LIFTING SPINDLE
20	00962620	1	CLAMP
21	00057990	1	ANGLE PLATE
22	00053330	4	HEXAGON NUT M6-8 A2G
23	00053770	1	WASHER A13-140HV-ST A2G
24	00022090	2	DU-DRYING SOCKET 15X17X12

HOPPER FLEXIBLE WALL_FAST WALL (97075345)



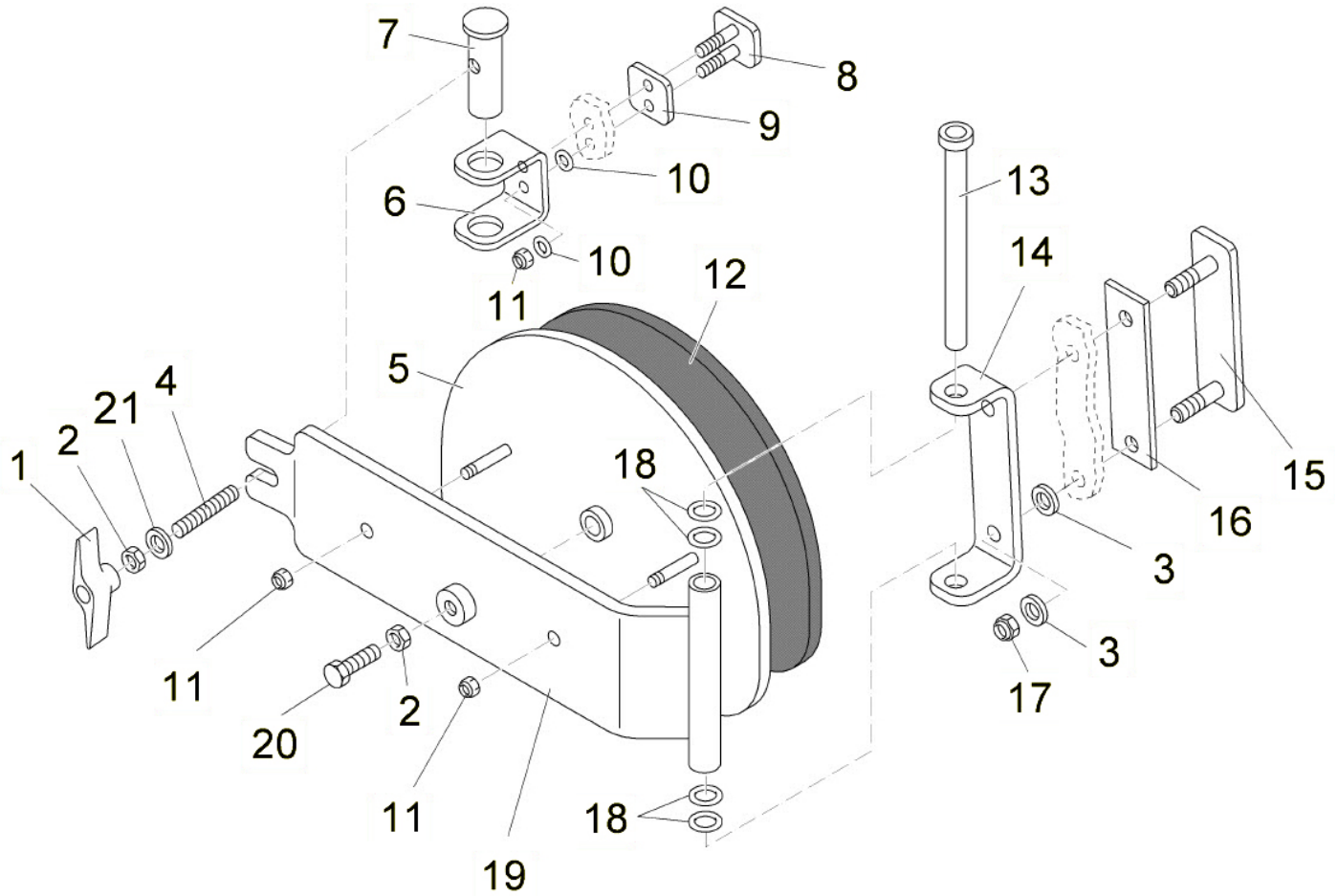
HOPPER FLEXIBLE WALL_FAST WALL (97075345)			
ITEM	PART NO.	QTY	DESCRIPTION
1	00980090	1	COVER L.H.
2	00980710	2	SEAL
3	00053140	21	HEX.BOLT M8X100-8.8 A2G
4	00042900	30	WASHER 8,4-140HV-ST A3G
5	00975400	1	ANGLE
6	00504590	4	HEX.BOLT M8X120-8.8 A2G
7	00053750	31	WASHER A8,4-140HV-ST A2G
8	00053150	3	HEX.BOLT M8X110-8.8 A2G
9	00246230	2	PROP
10	00980110	1	COVER R.H.
11	00051510	31	HEXAGON NUT M8-8 A2G
12	00975390	1	ANGLE
13	00980860	1	HANDLE
14	00976180	1	SUPPORT
15	00976200	1	CATCH
16	00104140	1	BUSHING
17	00053760	8	WASHER A10,5-140HV-ST A2G
18	00862520	2	THRUST WASHER 10
19	00975350	1	PLATE
20	00975410	1	SEAL
21	00980910	1	HANDLE
22	00102140	5	HEXAGON NUT M6-A2-70
23	00041540	2	O-RING 42,5X3,55-N-NBR70
24	00501430	5	SOCKET HEAD SCREW M6X25-A2
25	00035080	1	HOSE
26	00035720	2	HOSE
27	00053030	2	HEXAGON SCREW M6X25-8.8 A2G
28	00053730	5	WASHER A6,4-140HV-ST A2G
29	00051520	8	HEXAGON NUT M6-6 A2G
30	00975370	1	ANGLE
31	00054690	2	HEXAGON SCREW M8X35-8.8 A2G
32	00246240	2	PROP
33	00035040	1	FRESH WATER TANK
34	00980700	2	SEAL
35	00035060	1	MEMBRAN
36	00975360	28	PIPE
37	01177650	1	ROD

HOPPER FLEXIBLE WALL_FAST WALL (97075345)



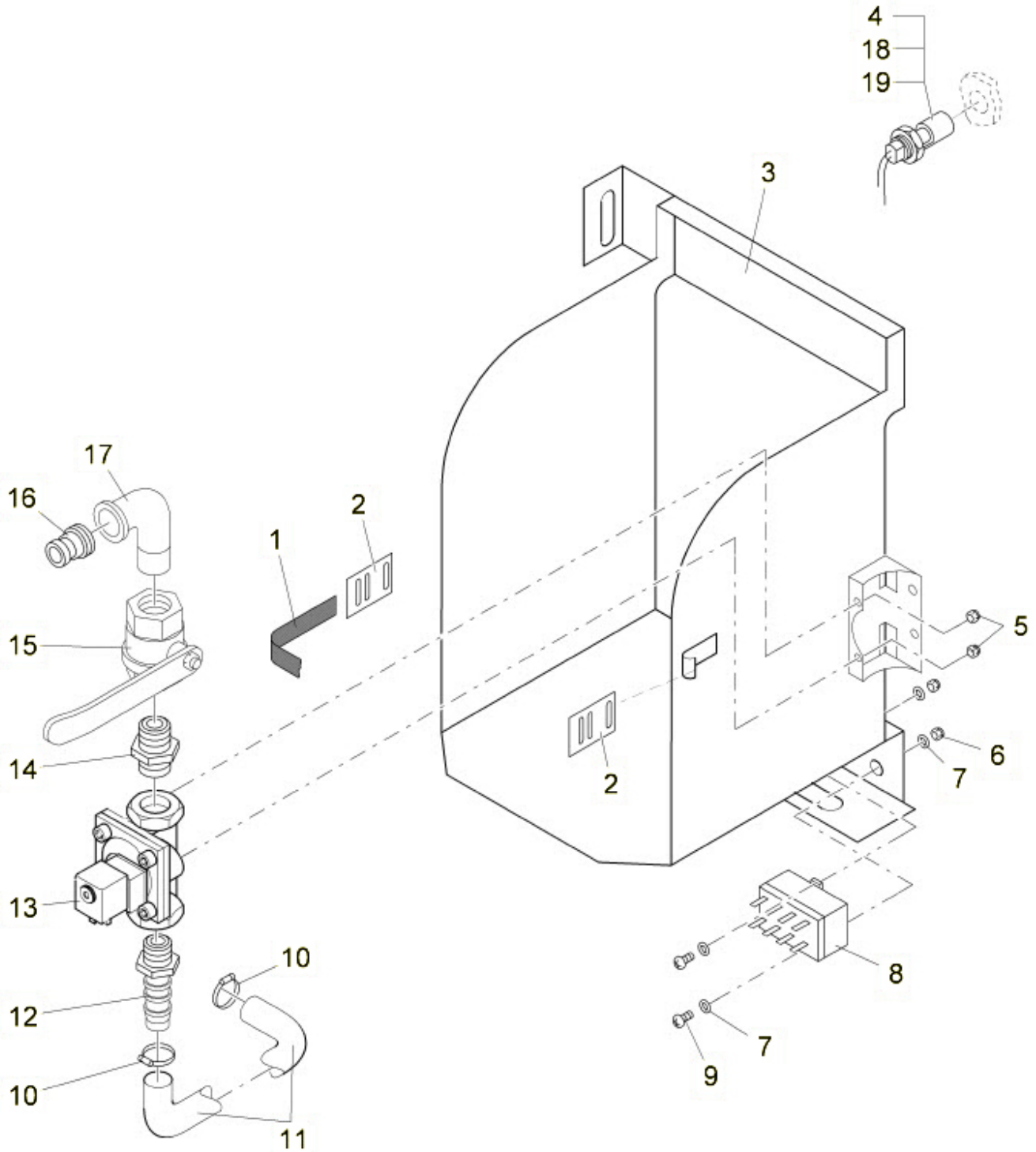
HOPPER FLEXIBLE WALL_FAST WALL (97075345)			
ITEM	PART NO.	QTY	DESCRIPTION
38	00980680	1	SHEET METAL
39	00135120	7	WASHER 6,4-140HV-ST A3G
40	00121740	1	STOP BUFFER
41	00053290	4	HEXAGON SCREW M6X35-8.8 A2G
42	00862430	2	BUSHING
43	00975380	1	ANGLE
44	00980690	1	PIPE
45	00959650	1	FLOAT SWITCH
46	00553690	4	HEX.BOLT M8X18-8.8 A2G
47	00980840	1	HANDLE
48	00976190	1	SUPPORT
49	00035050	1	DIRT WATER TANK
50	00102150	10	WASHER B6,4-140HV-A2
51	00142230	2	COVER
52	00967760	2	CABLE TIE 4,8X360
53	00501430	2	SOCKET HEAD SCREW M6X25-A2
54	00522160	2	HOSE CLAMP A-60-80X13-W4
55	01177660	1	WATER LEVEL INDICATOR
56	00108650	4	FILLISTER-HEAD SCREW M5X12-4.8-H A2G
57	01051840	1	FLANGE
58	00865630	20MM	SEALING TAPE 10X3 GT3
59	00034990	1	FIXED WALL
60	00980810	1	ANGLE
61	00053330	2	HEXAGON NUT M6-8 A2G
62	01143070	2	SOCKET HEAD SCREW M6X45-8.8 A2G
63	01070570	2	RUBBER GASKET

FLAP (HOPPER) (97042535)



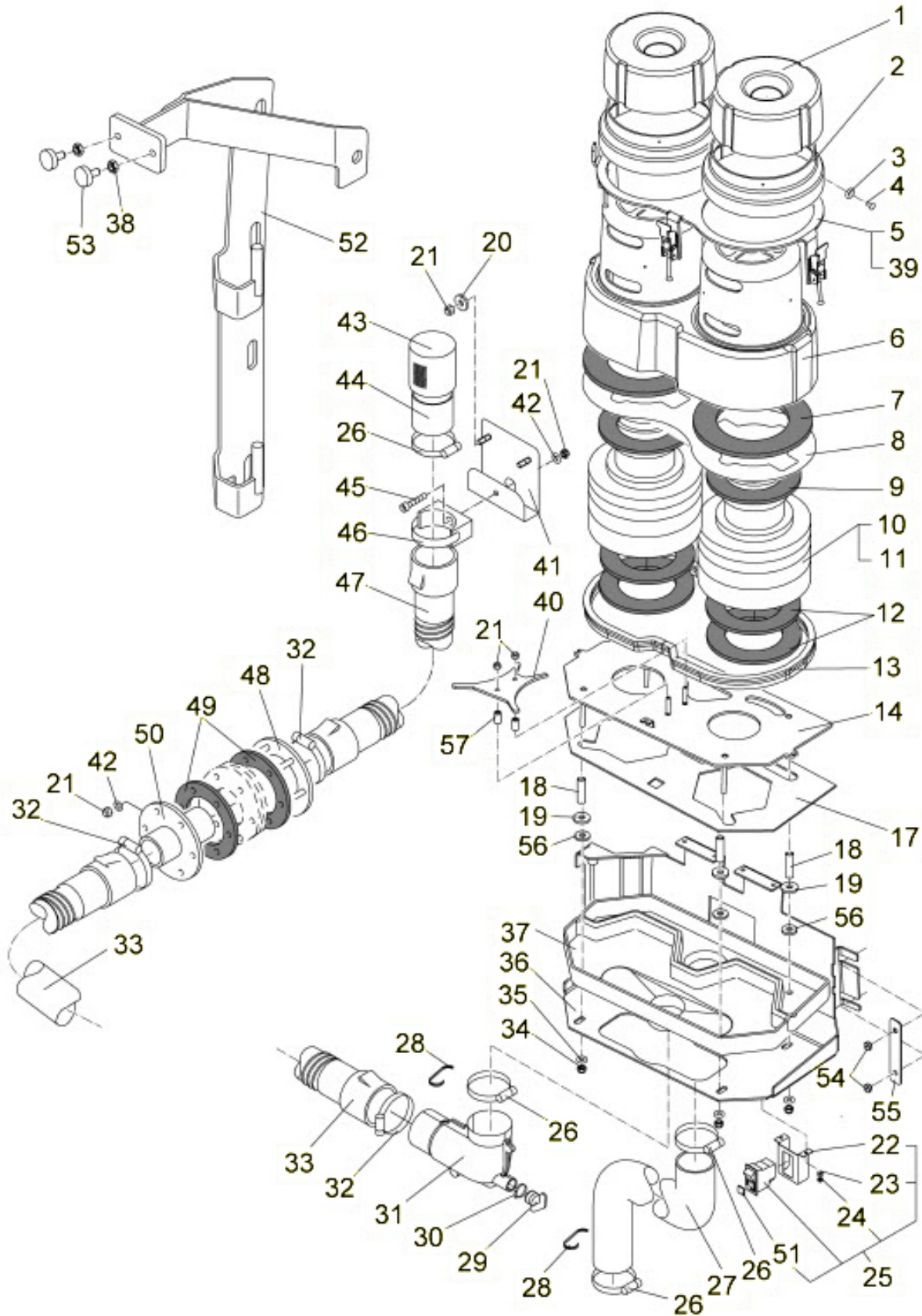
FLAP (HOPPER) (97042535)			
ITEM	PART NO.	QTY	DESCRIPTION
1	00101470	1	WING NUT M8 GEW:X12CRMOS17
2	00053350	2	HEXAGON NUT M8-8 A2G
3	00053750	4	WASHER A8,4-140HV-ST A2G
4	00902600	1	THREADED BOLT 1-M8X60-B-5.6 A2G
5	00980820	1	FLAP
6	00976090	1	ANGLE
7	00976100	1	BOLT
8	00975560	1	BOLT
9	00976070	1	SEAL
10	00053730	4	WASHER A6,4-140HV-ST A2G
11	00051520	4	HEXAGON NUT M6-6 A2G
12	00975600	1	SEAL
13	00975590	1	BOLT
14	00976110	1	ANGLE
15	00975570	1	PLATE
16	00976080	1	SEAL
17	00051510	2	HEXAGON NUT M8-8 A2G
18	00557340	4	ADJUSTING WASHER 10X16X0,5
19	00975580	1	HANDLE
20	00133700	1	HEXAGON SCREW M8X40-8.8 A2G
21	00042900	1	WASHER 8,4-140HV-ST A3G

AUTOMATIC LOAD (97075220)




AUTOMATIC LOAD (97075220)				
ITEM	PART NO.	QTY	DESCRIPTION	REMARKS
1	00059890	1	TIGHTENING STRAP	
2	00109580	2	BRACKET	
3	XXXXXXXXX	1	PART-NO. TIL YET	96091749 RETAINER
4	00959650	1	FLOAT SWITCH	
5	00051340	2	HEXAGON NUT M5-6 A2G	
6	00022200	2	HEX. NUT M3-6 A2G	
7	00553740	4	WASHER A3,2-140HV-ST A2G	
8	00059550	1	RELAY 36VDC	
9	00535780	2	FILLISTER-HEAD SCREW M3X10-4.8-H A2G	
10	00874590	2	HOSE CLAMP A-16-25X 9-W1-2	
11	00671820	500MM	HOSE TYP GE-WS7540-LW19	
12	01070650	1	SCREWING IN CONNECTING PIECE	
13	00651240	1	ELECTROVALVE 36V	
14	00521120	1	DOUBLE NIBBLE	
15	00130600	1	BALL TAP	
16	00523740	1	EQUIPMENT PIECE	
17	00130670	1	ANGLE	
18	00083640	2	PLASTIC COVER	
19	00559670	2	CASE	

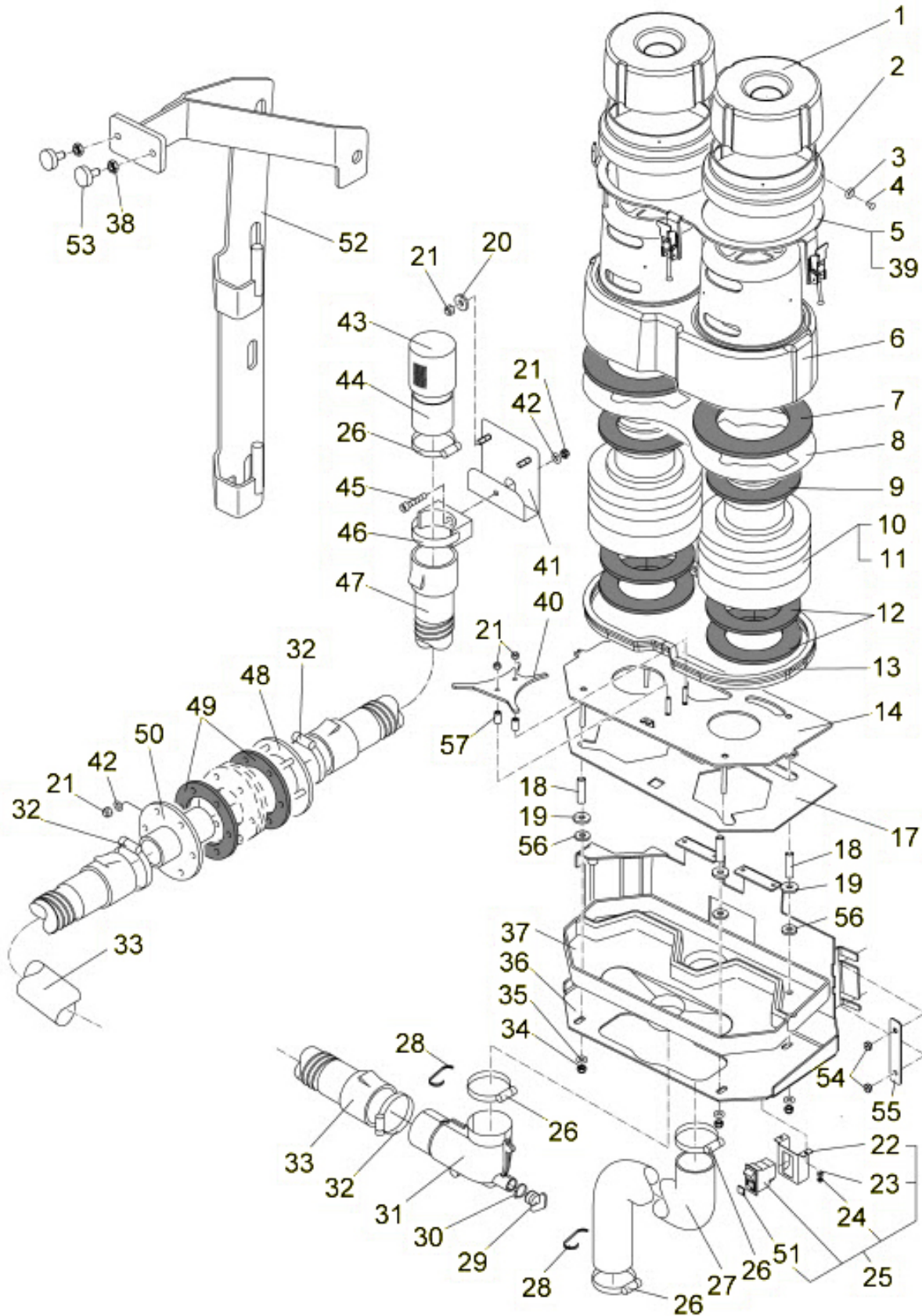
SUCTION UNIT (97075337)



PARTS BREAKDOWN

SUCTION UNIT (97075337)				REMARKS
ITEM	PART NO.	QTY	DESCRIPTION	
1	01070600	2	HOOD	
2	01070620	2	RING	
3	00553740	8	WASHER A3,2-140HV-ST A2G	
4	00131600	8	RIVET F3X10-AL	
5	01070760	8	SHEET METAL	
6	01070610	1	COVERING	
7	01070580	2	SEAL	
8	01076820	1	SHEET METAL	
9	01070590	2	SEAL	
10	00911380	2	TURBINE	
11	00049810	2	CARBON BRUSH	
12	00130570	4	SEAL	
13	00752350	1060MM	EDGE PROTECTION 1,0-3,5	
14	01076830	1	SHEET METAL	
17	01070640	1	GASKET	
18	01177670	4	PIPE	
19	00074230	4	WASHER 8-ST A3G	
20	00135120	4	WASHER 6,4-140HV-ST A3G	
21	00051520	11	HEXAGON NUT M6-6 A2G	
22	00952770	1	RETAINER	
23	00053710	2	WASHER B4,3-140HV-ST A2G	
24	00133830	2	HEX. NUT M4-6 A2G	
25	00009050	1	RETOOL KIT SWITCH FILLING 	SEE LETTER KUD 32-11.01.2008
26	00732130	2	HOSE CLAMP A-40-60X 9-W1-2	
27	00431380	1	HOSE	
28	00967760	2	CABLE TIE 4,8X360	
29	00054560	1	VALVE	
30	00733160	1	HOSE CLAMP A-20-32X9-W1-2	
31	01070530	1	ARC	
32	00522160	4	HOSE CLAMP A-60-80X13-W4	
33	00770500	1	HOSE	
34	00051510	4	HEXAGON NUT M8-8 A2G	
35	00053750	4	WASHER A8,4-140HV-ST A2G	
36	01070630	1	SHEET METAL	
37	01073180	1	TUB	
38	00053330	6	HEXAGON NUT M6-8 A2G	
39	01079340	1	SHEET METAL	
40	01177680	1	PLATE	

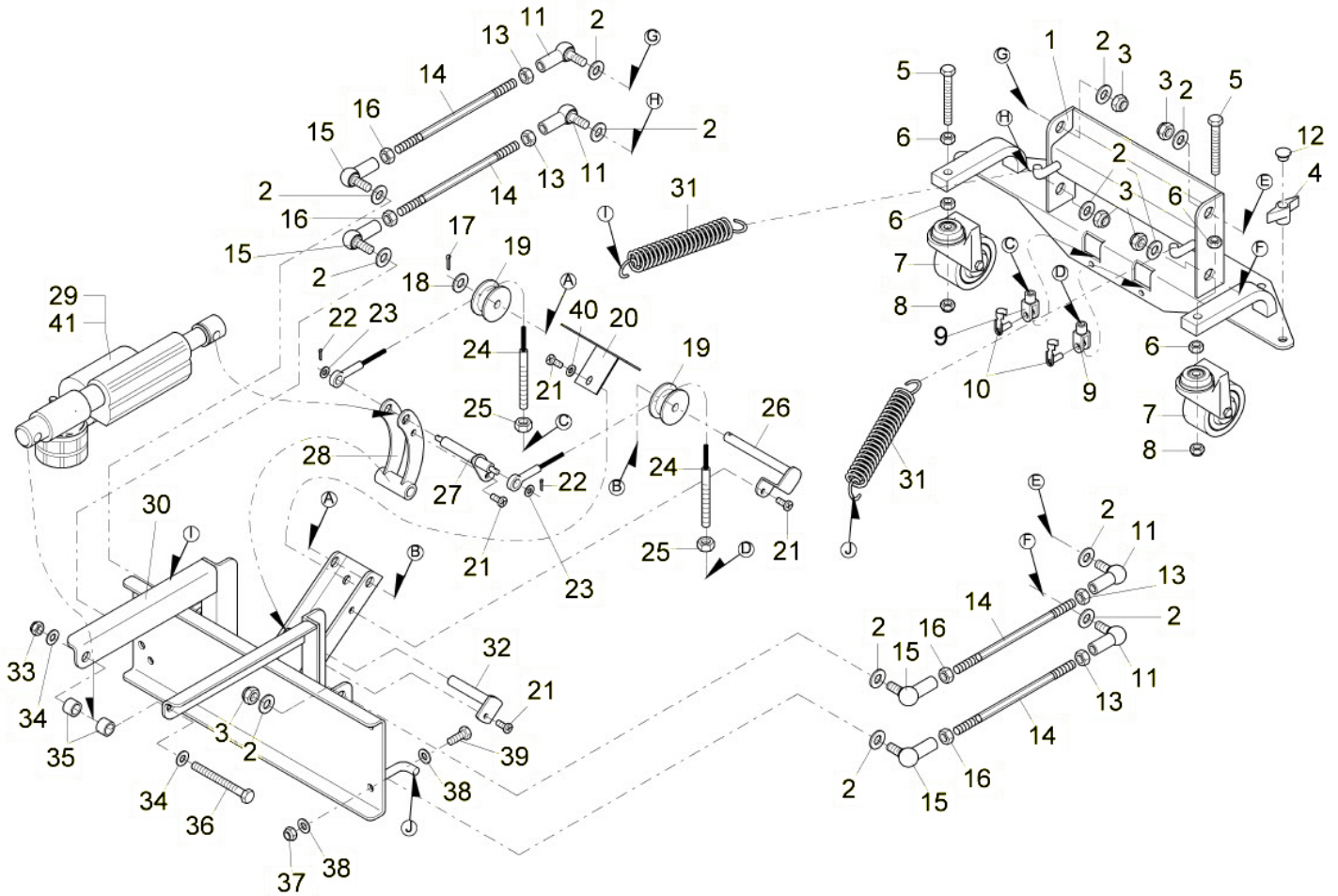
SUCTION UNIT (97075337)



PARTS BREAKDOWN

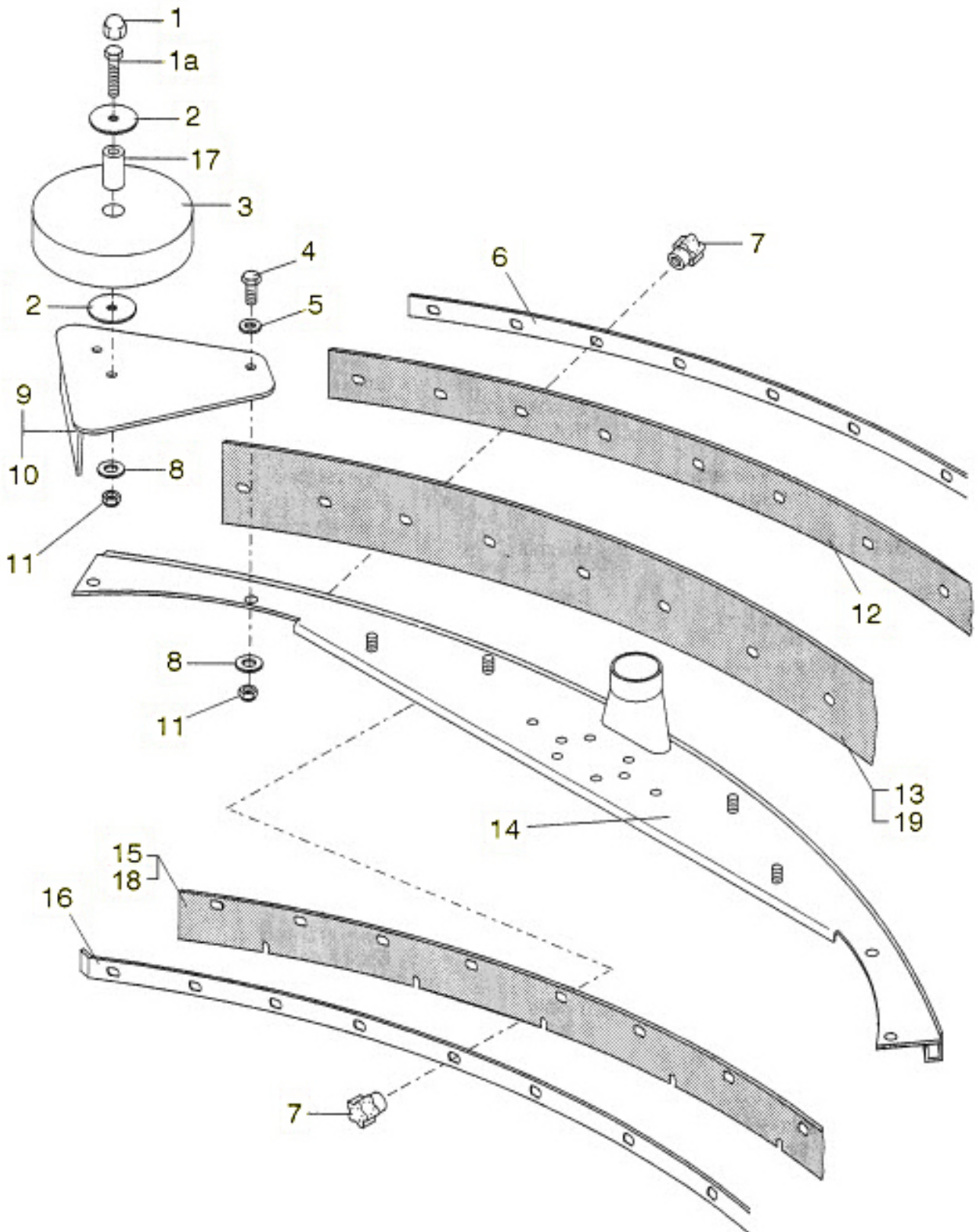
SUCTION UNIT (97075337)				
ITEM	PART NO.	QTY	DESCRIPTION	REMARKS
41	01070560	1	SUPPORT	
42	00053730	7	WASHER A6,4-140HV-ST A2G	
43	01070520	1	FILTER SCREEN	
44	01070550	1	PIPE	
45	00501430	1	SOCKET HEAD SCREW M6X25-A2	
46	00522150	1	PIPE CLAMP 63	
47	00321090	1	HOSE	
48	00976220	1	FLANGE	
49	00976260	1	SEAL	
50	01070540	1	PIPE	
51	01060610	1	SYMBOL GREEN	
52	01177690	1	RETAINER	
53	00127470	2	BUFFER	
54	00903210	2	KNURLED NUT P 1612012-M6	
55	01177700	1	SHEET METAL	
56	00100720	4	WASHER	
57	XXXXXXXX	2	PART-NO. TIL YET	90567454 PIPE

LIFTING ASSY FOR SUCTION (97042345)



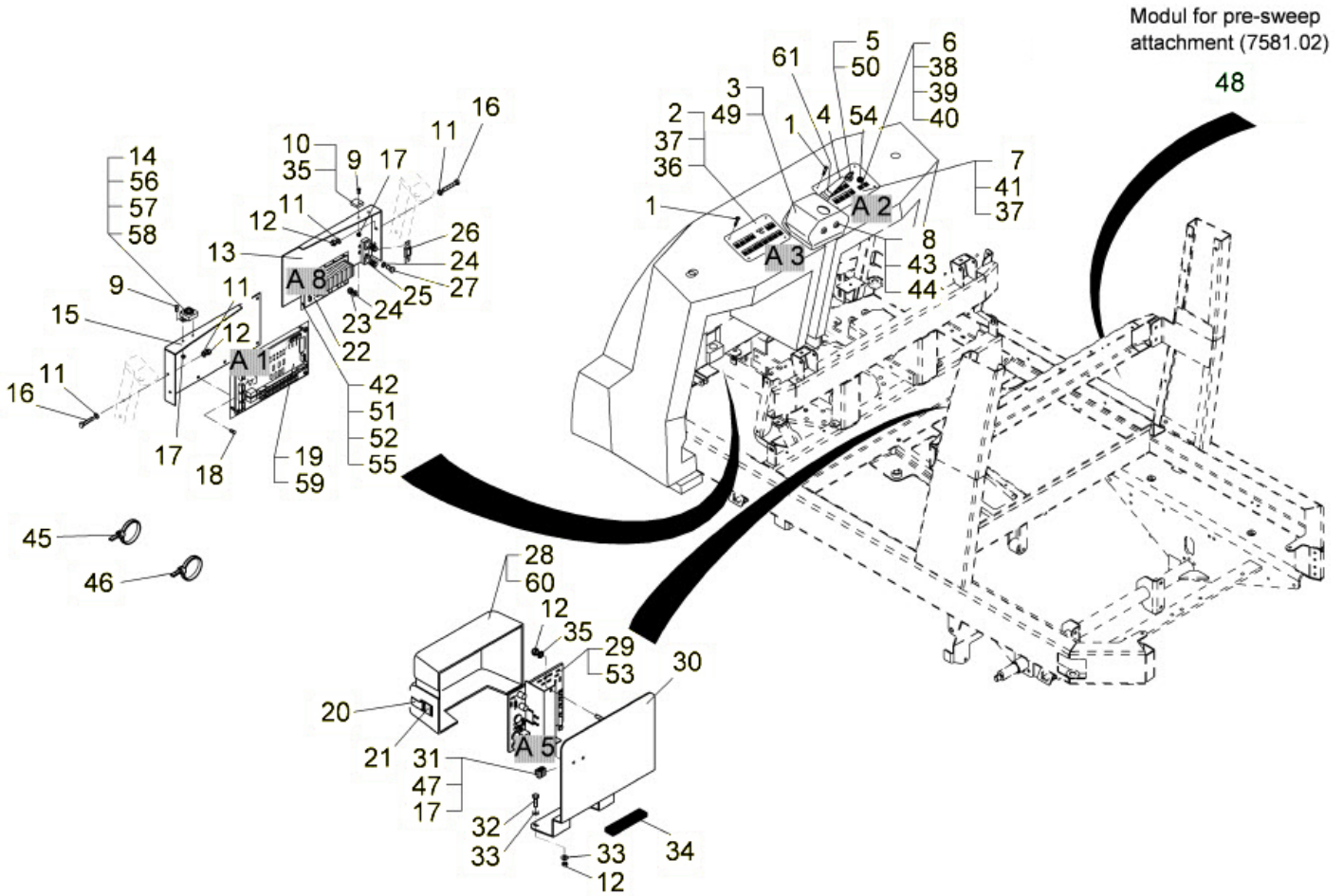
LIFTING ASSY FOR SUCTION (97042345)			
ITEM	PART NO.	QTY	DESCRIPTION
1	00910170	1	SUPPORT
2	00053780	8	WASHER A15-140HV-ST A2G
3	00044420	8	HEX. NUT M14X1,5-6 A3G
4	00101470	4	WING NUT M8 GEW:X12CRMOS17
5	00864080	2	HEX.BOLT M10X75-8.8 A3G
6	00053360	2	HEXAGON NUT M10-8 A3G
7	00471600	2	STEERING ROLLER
8	00051500	2	HEXAGON NUT M10-6 A2G
9	00851570	2	FORK YOKE G6X24 A2G
10	00851590	2	BOLT 6X24 ESN 01 A2G
11	00101440	4	HINGED JOINT
12	00902300	4	DRAIN PLUG
13	00101480	4	HEX. NUT M14X1,5LH-17H A3G
14	00974320	4	THREADED ROD
15	00522370	4	HINGED JOINT CS19/M A3G
16	00053740	4	HEXAGON NUT M14X1,5-17H
17	00553580	1	COTTER PIN 3,2X20-ST A3G
18	00053730	1	WASHER A6,4-140HV-ST A2G
19	00972140	2	ROLLER
20	00972160	1	ANGLE
21	00959220	3	SCREW C M5X12-ST A2G TORX
22	00534540	2	COTTER PIN 1,6X10-ST A2G
23	00053770	2	WASHER A13-140HV-ST A2G
24	00972150		PULL OF THE ROPE
25	00053330	2	HEXAGON NUT M6-8 A2G
26	00972120	1	BOLT
27	00972090	1	BOLT
28	00972100	1	PIPE
29	00650200	1	LIFTING SPINDLE
30	00910160	1	SUPPORT
31	00522290	2	TENSION SPRING
32	00972110	1	BOLT
33	00051490	1	HEXAGON NUT M12-6 A3G
34	00053770	2	WASHER A13-140HV-ST A2G
35	00972130	2	SPREADER TUBE
36	00105390	1	HEX.BOLT M12X90-8.8 A3G
37	00051510	2	HEXAGON NUT M8-8 A2G
38	00042900	2	WASHER 8,4-140HV-ST A3G
39	00053100	2	HEXAGON SCREW M8X25-8.8 A2G
40	00555520	1	WASHER 5,3-140HV-ST A3G
41	00962620	1	CLAMP

SQUEEGEE (97042360)



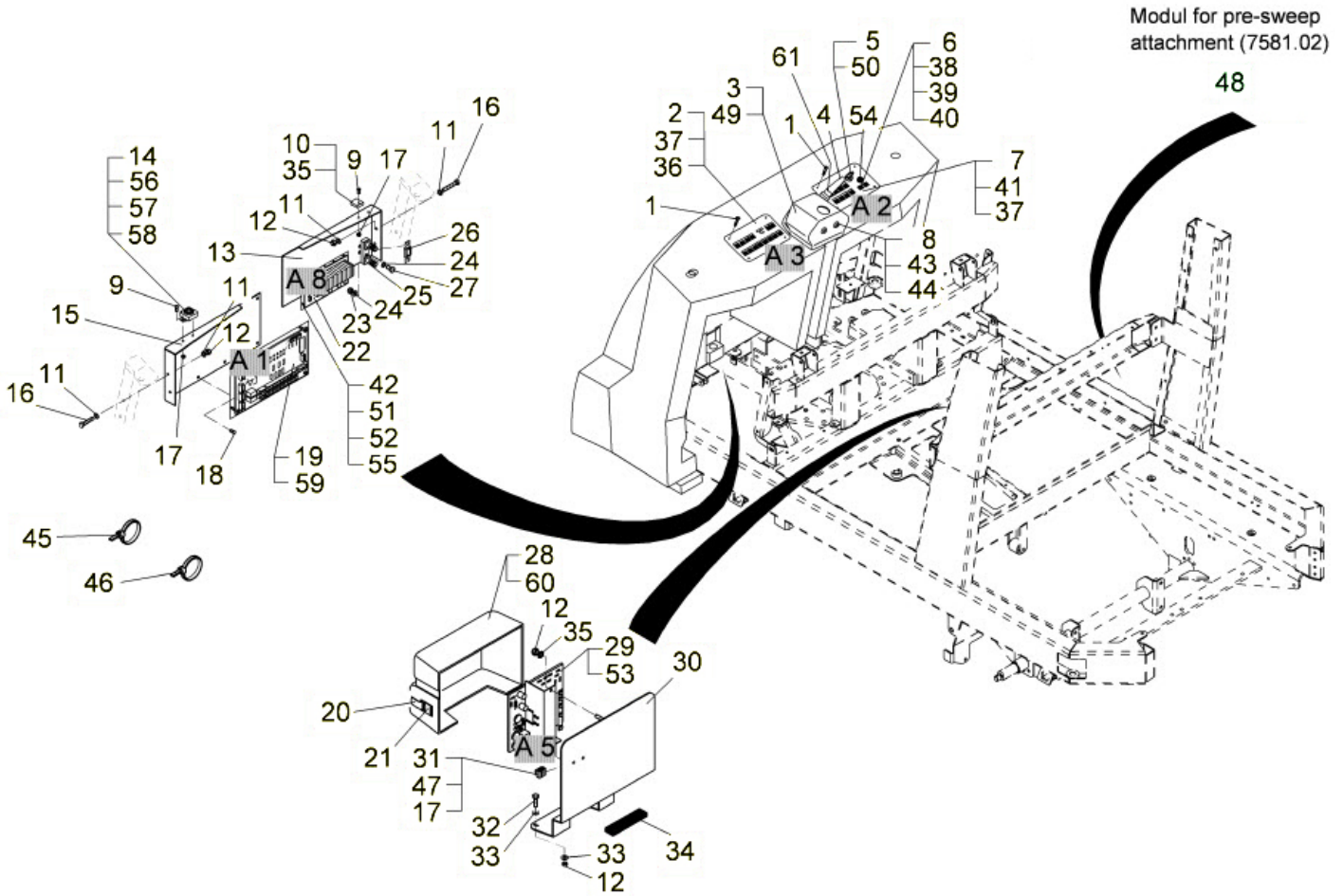
SQUEEGEE (97042360)			
ITEM	PART NO.	QTY	DESCRIPTION
1	00131610	2	LENS CAP
1A	00053260	2	HEX.BOLT M8X50-8.8 A2G
2	00878400	4	WASHER
3	00972170	2	ROLLER
4	00053100	4	HEXAGON SCREW M8X25-8.8 A2G
5	00053750	4	WASHER A8,4-140HV-ST A2G
6	00244970	1	SHEET METAL
7	00853730	14	STAR HANDLE
8	00042900	6	WASHER 8,4-140HV-ST A3G
9	00910140	1	PLATE L.H.
10	00910180	1	PLATE R.H.
11	00051510	6	HEXAGON NUT M8-8 A2G
12	00411600	1	SUPPORTING BORDER
13	00411580	1	SEALING STRIP
14	00035180	1	SQUEEGEE
15	00411620	1	SEALING STRIP
16	00244980	1	SHEET METAL
17	00972180	2	SLEEVE
18	01077090	1	SEALING STRIP FRONT,
19	01077100	1	SEALING STRIP REAR,

ELECTRICAL EQUIPMENT (PART 1) (97099717-1)



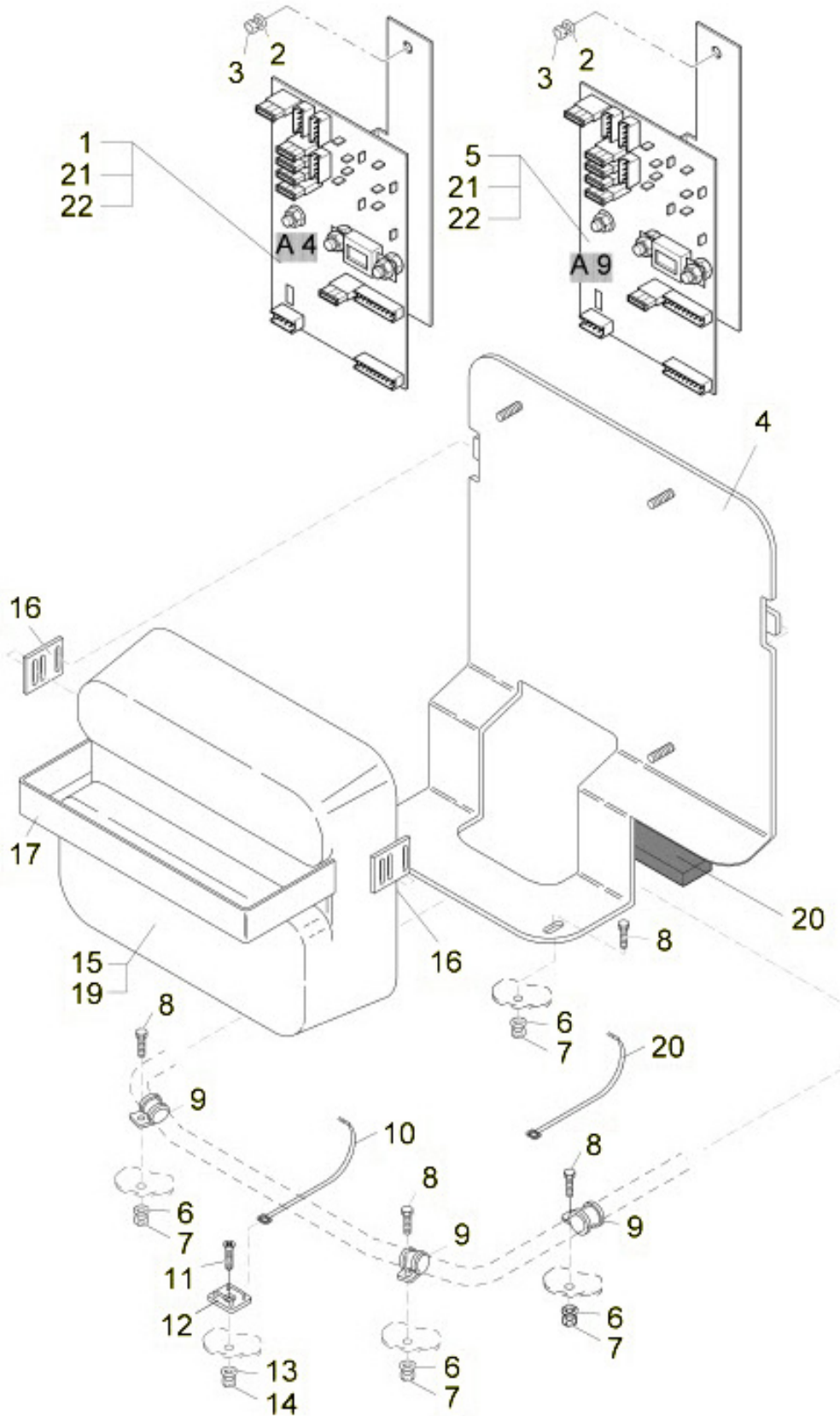
ELECTRICAL EQUIPMENT (PART 1) (97099717-1)				
ITEM	PART NO.	QTY	DESCRIPTION	REMARKS
1	00961490	8	SELF TAPPING SCREW KB 40X14	
2	00512480	1	CONTROL PANEL L.H.	
3	00831910	1	HOOD	
4	00697630	1	SWITCH	
5	00021710	1	KEY SWITCH	
6	00521360	2	LUMINOUS PUSH-BUTTON	
7	00512500	1	CONTROL PANEL R.H.	
8	00733180	4	TAPPING SCREW ST4,8X16-C A2G	
9	00695680	3	FILLISTER-HEAD SCREW M3X12-4.8-H A2G	
10	00509560	1	FUSE HOLDER	
11	00053730	30	WASHER A6,4-140HV-ST A2G	
12	00051520	22	HEXAGON NUT M6-6 A2G	
13	00722210	1	ANGLE BRACKET R.H.	
14	00745850	1	SIGNAL TRANSMITTER 24V DC	
15	00722200	1	ANGLE BRACKET L.H.	
16	00535110	4	HEX.BOLT M6X45-8.8 A2G	
17	00022200	5	HEX. NUT M3-6 A2G	
18	00731550	8	FILLISTER-HEAD SCREW M4X16-4.8-H A2G	
19	00712160	1	CONTROL UNIT	
20	01177110	2	TENSION BAND	
21	00109580	4	BRACKET	
22	00512440	1	AUXILIARY SUPPLY MODULE	
23	00133830	10	HEX. NUT M4-6 A2G	
24	00053710	6	WASHER B4,3-140HV-ST A2G	
25	00121440	1	FUSE HOLDER	
26	00101520	1	FUSE B200/80V	
27	00954570	2	FILLISTER-HEAD SCREW M4X20-4.8-H A2G	
28	00831900	2	HOOD	
29	00752920	1	MODULE 1 KUD	
30	00722240	1	CONSOLE R.H.	
31	XXXXXXXX	300MM	PART-NO. TIL YET	19747039 STRIP TERMINAL
32	00053020	2	HEXAGON SCREW M6X20-8.8 A2G	
33	00135120	4	WASHER 6,4-140HV-ST A3G	
34	00053980	2	SEAL	
35	00874970	1	FUSE C10A/80V	
36	00712220	1	CONTROL PANEL	
37	00865630	1400MM	SEALING TAPE 10X3	
38	00521380	2	CONTROL ELEMENT	
39	00521390	2	FRONT FRAME BLACK 18X18	

ELECTRICAL EQUIPMENT (PART 1) (97099717-1)



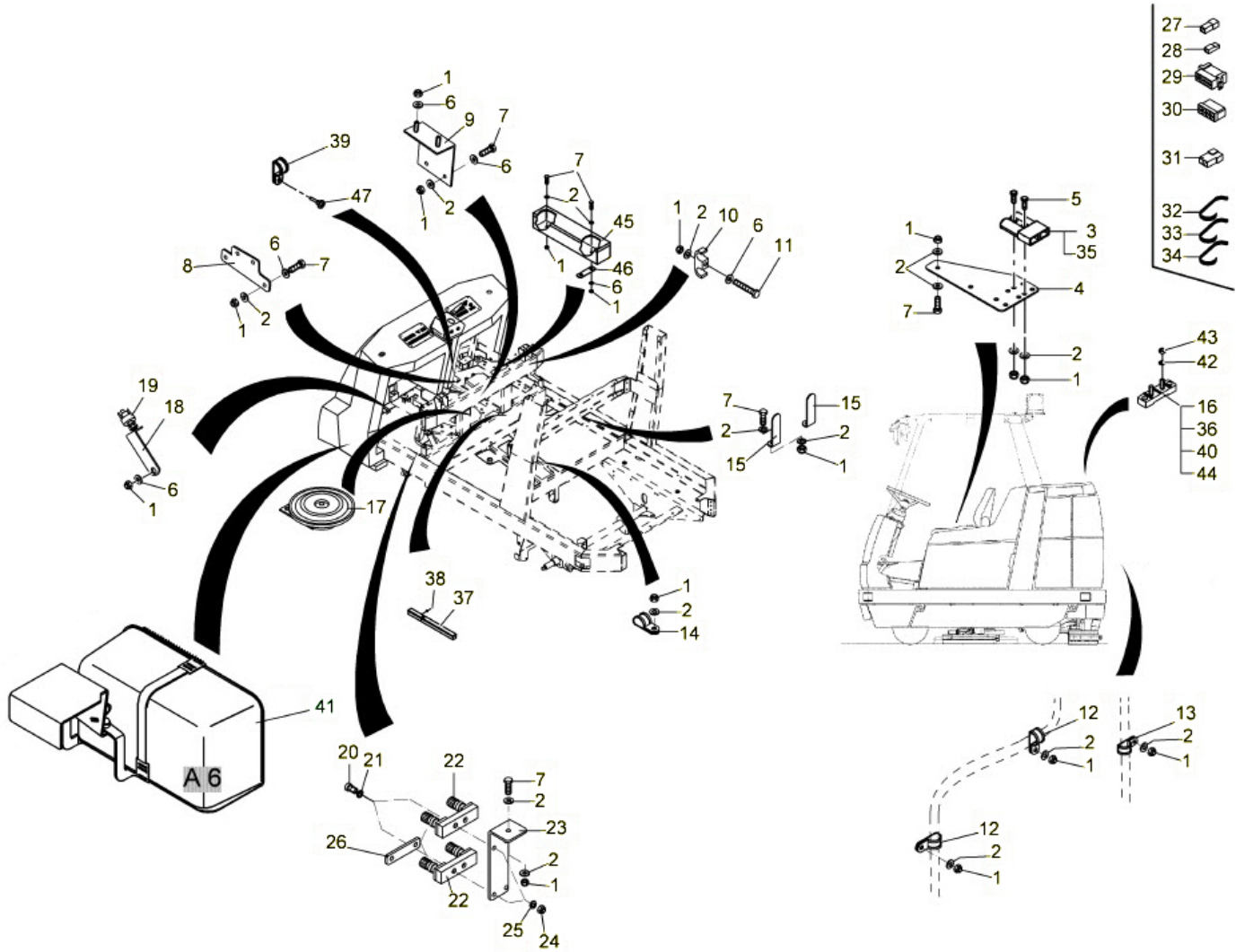
ELECTRICAL EQUIPMENT (PART 1) (97099717-1)				
ITEM	PART NO.	QTY	DESCRIPTION	REMARKS
40	00521410	2	PRESSURE HOOD	
41	00512490	1	CONTROL PANEL	
42	00132360	5	LENS HEAD SCREW M4X10 M4X10-4.8-H A2G	
43	00558830	4	SNAP NUT 4,8 A2G	
44	00157690	4	ANNULAR PLATE	
45	00121150	71	CABLE TIE	
46	00967760	10	CABLE TIE 4,8X360	
47	00955220	2	FILLISTER-HEAD SCREW M3X20-4.8-H A2G	
48	97049092		PRE-SWEEP-ATTACHMENT	NOT AVAILABLE! POS. HAS SUB-ASSEMBLIES!
49	00291390	1	SOCKET PROFIL 10X6X3 EPDM	
50	00745890	1	SET (2PC.) KEY	
51	00053680	5	DISTANCE BOLT	
52	00154240	5	LOCK WASHER A4-MP-VERZ.,W-CHROM.	
53	00127470	2	BUFFER	
54	00133770	1	PRESS SWITCH	
55	00052810	5	HEX. NUT M4-8 A2G	
56	00121010	1	CABLE TIE	
57	00903180	1	PLASTIC COVER	
58	00903170	2	TAB	
59	00745840	4	PRINT PLATE HOLDER 4,8	
60	00752350	1	EDGE PROTECTION 1,0-3,5	
61	01074110	1	RUBBER CAP	

ELECTRIC PRE-SWEEP-ATTACHMENT (97049092)



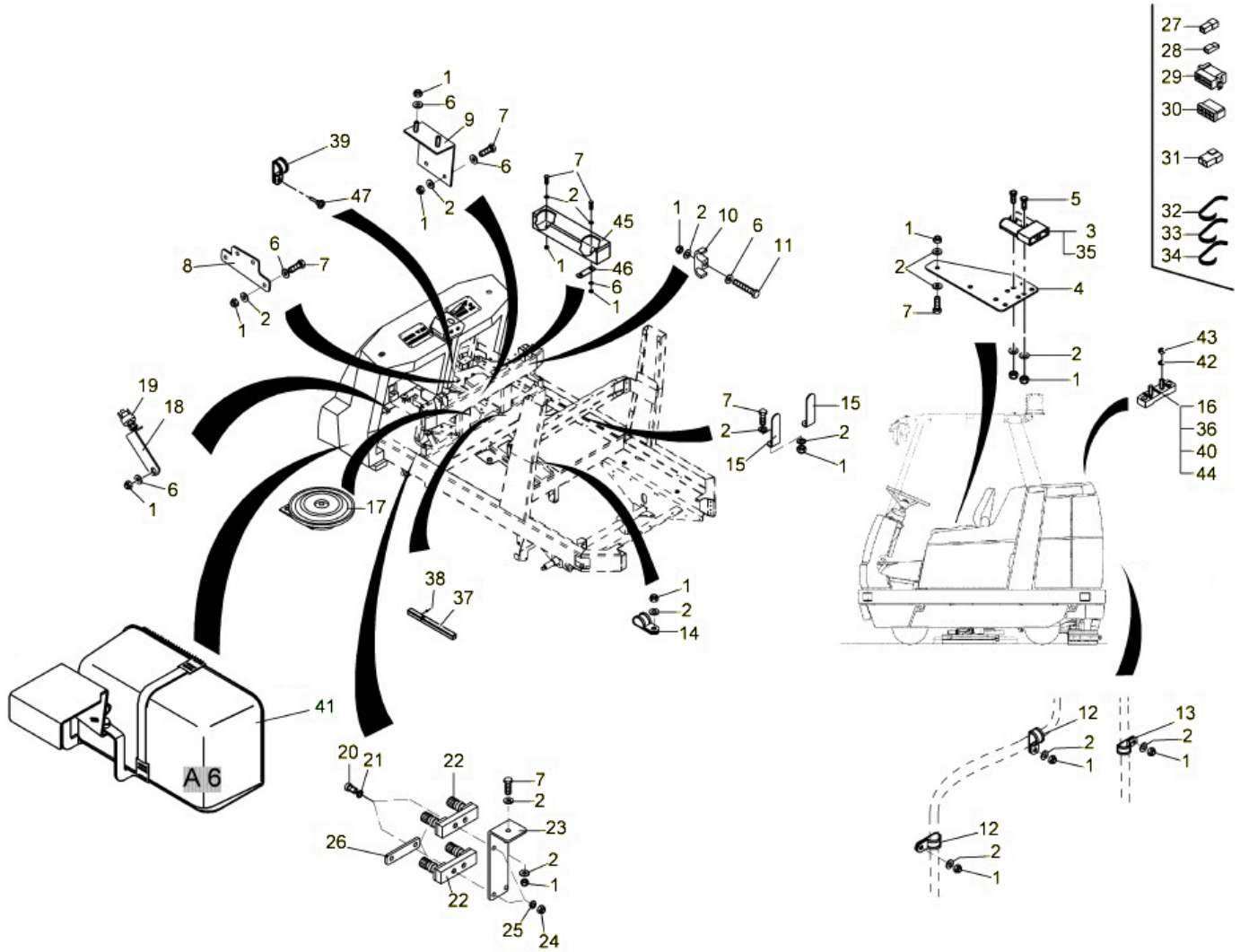
ELECTRIC PRE-SWEEP-ATTACHMENT (97049092)			
ITEM	PART NO.	QTY	DESCRIPTION
1	00512460	1	MODULE
2	00042900	2	WASHER 8,4-140HV-ST A3G
3	00051510	2	HEXAGON NUT M8-8 A2G
4	00722230	1	CONSOLE
5	00512460	1	MODULE
6	00053730	3	WASHER A6,4-140HV-ST A2G
7	00051520	3	HEXAGON NUT M6-6 A2G
8	00053020	3	HEXAGON SCREW M6X20-8.8 A2G
9	00130250	3	PIPE CLAMP RSGU1.12/15 A2G
10	00967760	4	CABLE TIE 4,8X360
11	00731550	1	FILLISTER-HEAD SCREW M4X16-4.8-H A2G
12	00780710	1	SOCKET TC 141
13	00023710	1	SHIM 60
14	00133830	1	HEX. NUT M4-6 A2G
15	00831900	1	HOOD
16	00109580	4	BRACKET
17	01177110	2	TENSION BAND
19	00752350	1	EDGE PROTECTION 1,0-3,5
20	00121150	20	CABLE TIE PLTZM-M
21	00874970	3	FUSE C10A/80V
22	00874960	2	FUSE C20A/80V-3

ELECTRICAL EQUIPMENT (PART 2) (97099717-2)



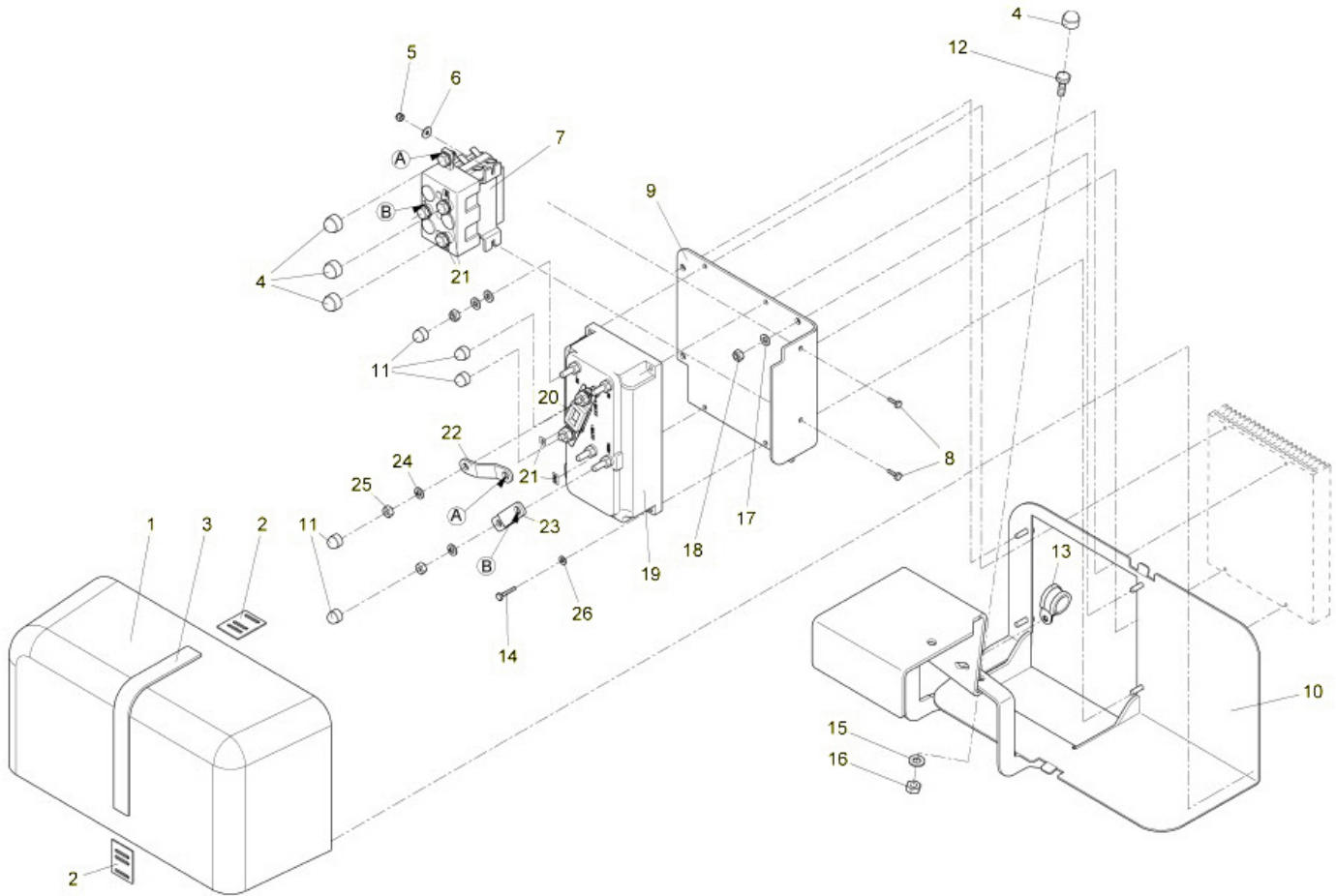
ELECTRICAL EQUIPMENT (PART 2) (97099717-2)				
ITEM	PART NO.	QTY	DESCRIPTION	REMARKS
1	00051520	22	HEXAGON NUT M6-6 A2G	
2	00053730	26	WASHER A6,4-140HV-ST A2G	
3	00540210	1	CHARGING PLUG	
4	00974560	1	PLATE	
5	00053290	2	HEXAGON SCREW M6X35-8.8 A2G	
6	00135120	26	WASHER 6,4-140HV-ST A3G	
7	00053020	4	HEXAGON SCREW M6X20-8.8 A2G	
8	00974540	1	SUPPORT	
9	00975070	1	SUPPORT	
10	00748300	1	CLAMP B15 NYLFIX	
11	00535110	5	HEX.BOLT M6X45-8.8 A2G	
12	00109470	4	TUBE CLAMP RSGU 1 10/15 A2G	
13	00130260	2	TUBE CLAMP RSGU 1.18/15 A2G	
14	00130250	4	PIPE CLAMP RSGU1.12/15 A2G	
15	00974570	2	ANGLE	
16	00152830	2	CLAMP STRIP	
17	00050810	1	SIGNAL HORN 40V	
18	00974590	1	ANGLE	
19	00028680	1	STOP LIGHT SWITCH	
20	00731550	2	FILLISTER-HEAD SCREW M4X16-4.8-H A2G	
21	00053710	1	WASHER B4,3-140HV-ST A2G	
22	00121440	4	FUSE HOLDER	
23	00730820	1	ANGLE	
24	00133830	4	HEX. NUT M4-6 A2G	
25	00053860	2	SPRING WASHER B10 A3G	
26	00730830	2	STRAP	
27	00083650	1	PLASTIC COVER	
28	00083640	1	PLASTIC COVER	
29	00956310	1	JUMPER CABLE 8-POL.	
30	00956300	1	JUMPER CABLE 8-POL.	
31	00903180	1	PLASTIC COVER	
32	00967760	10	CABLE TIE 4,8X360	
33	00121010	16	CABLE TIE PLT1M-M	
34	00121150	70	CABLE TIE PLTZM-M	
35	00927190	2	CONTACT MAKER SB 175/25MM ²	
36	00044550	4	COUNTERSUNK SCREW M5X20-4.8-H A2G	
37	01177740	670MM	WIRING CHANNEL 18X33	
38	00959220	2	SCREW C M5X12-ST A2G TORX	
39	00903290	1	TUBE CLAMP RSGU1.5/9-W1	
40	00027160	4	LENS CAP	

ELECTRICAL EQUIPMENT (PART 2) (97099717-2)



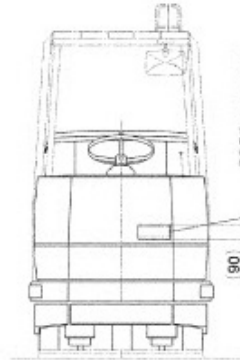
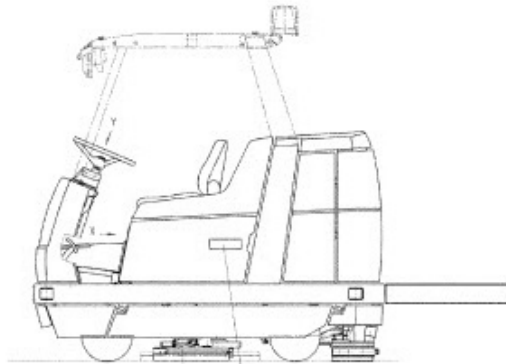
ELECTRICAL EQUIPMENT (PART 2) (97099717-2)				
ITEM	PART NO.	QTY	DESCRIPTION	REMARKS
41	00831890	1	RETOOL KIT DRIVING CONTROL ZAPI	AVAILABLE! POS. HAS SUB-MODULES!
42	00127100	4	TOOTHED WASHER J 6,4 A3G	
43	00959620	4	HEX. NUT M6-MS	
44	00051340	4	HEXAGON NUT M5-6 A2G	
45	01177750	400MM	WIRING CHANNEL 45X67	
46	00974510	1	BRACKET	
47	00961490	1	SELF TAPPING SCREW KB 40X14	

RETOOL KIT DRIVING CONTROL ZAPI (00831890)



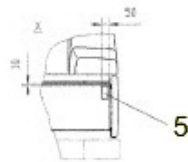
RETOOL KIT DRIVING CONTROL ZAPI (00831890)			
ITEM	PART NO.	QTY	DESCRIPTION
1	01079800	1	HOOD
2	00109580	2	BRACKET
3	01177110	1	TENSION BAND
4	00131610	5	LENS CAP
5	00133830	2	HEX. NUT M4-6 A2G
6	00557150	2	WASHER 4,3-140HV-ST A3G
7	01079810	1	REVERSION CONTACTOR 36V DC88-6
8	00023080	2	HEX.BOLT M4X12-8.8 A2G
9	01079820	1	ANGLE
10	01079830	1	ANGLE
11	00525910	5	LENS CAP
12	00053100	2	HEXAGON SCREW M8X25-8.8 A2G
13	00130260	1	TUBE CLAMP RSGU 1.18/15 A2G
14	00108490	4	HEX.BOLT M4X20-8.8 A2G
15	00053750	2	WASHER A8,4-140HV-ST A2G
16	00051510	2	HEXAGON NUT M8-8 A2G
17	00053730	6	WASHER A6,4-140HV-ST A2G
18	00051520	5	HEXAGON NUT M6-6 A2G
19	01171320	1	DRIVING CONTROL 36V 230A
20	00853830	1	FUSE LINK B160
21	03003000	4	TRANSPARENCY
22	01079040	1	CURRENT BAR
23	01079050	1	CURRENT BAR
24	00053400	2	LOCK WASHER A6-MP-VERZ.,W-CHROM.
25	00053330	2	HEXAGON NUT M6-8 A2G
26	00053710	4	WASHER B4,3-140HV-ST A2G

MARKING (97100093)

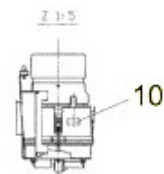
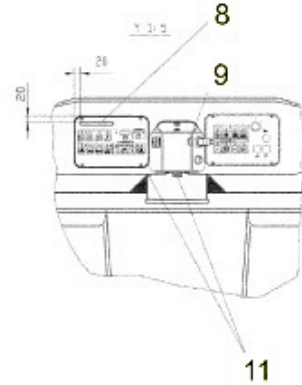
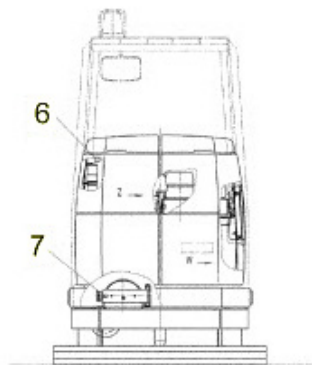
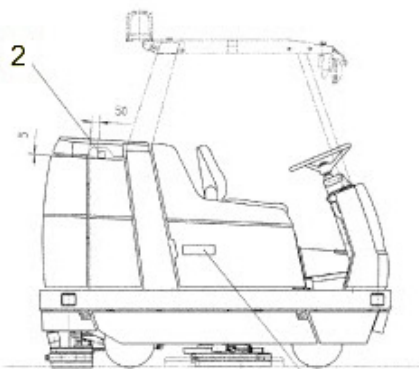
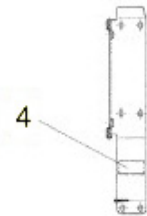


Hinweis:
Der Aufkleber ist 3-teilig.
Der mittlere Teil (Schritzug Power Boss)
in der vorhandenen Mitte der Haube vermitteln.
Die beiden äußeren Streifen entsprechend
dicht darüber und darunter platzieren.

The decal is divided into 3 parts.
Please indicate the middle one (steering "Power Boss")
in the present through and place the both reverse strips
beneath and above.

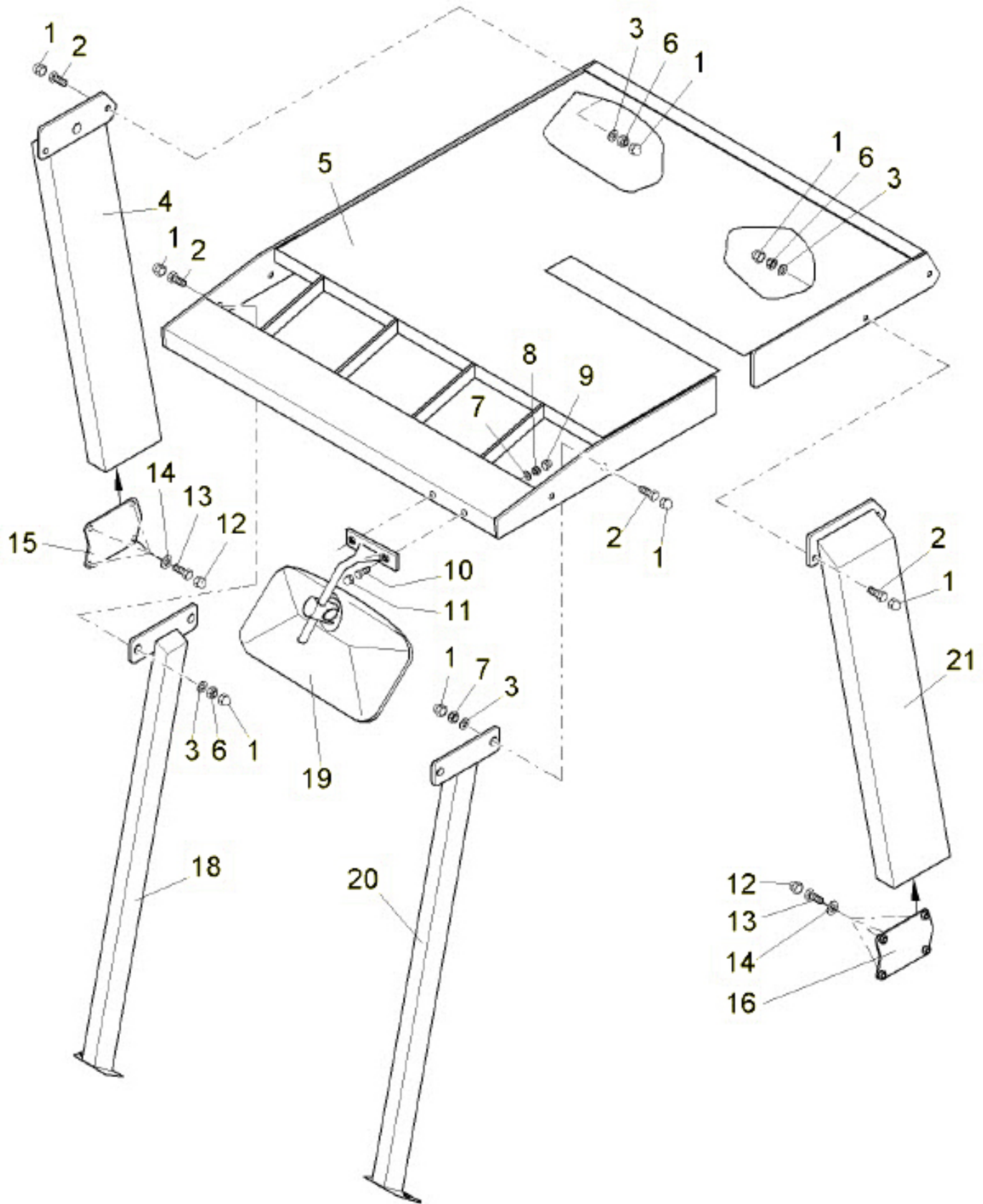


Y 3:5
(Scharnier f. Tür)
(Hinge f. door)



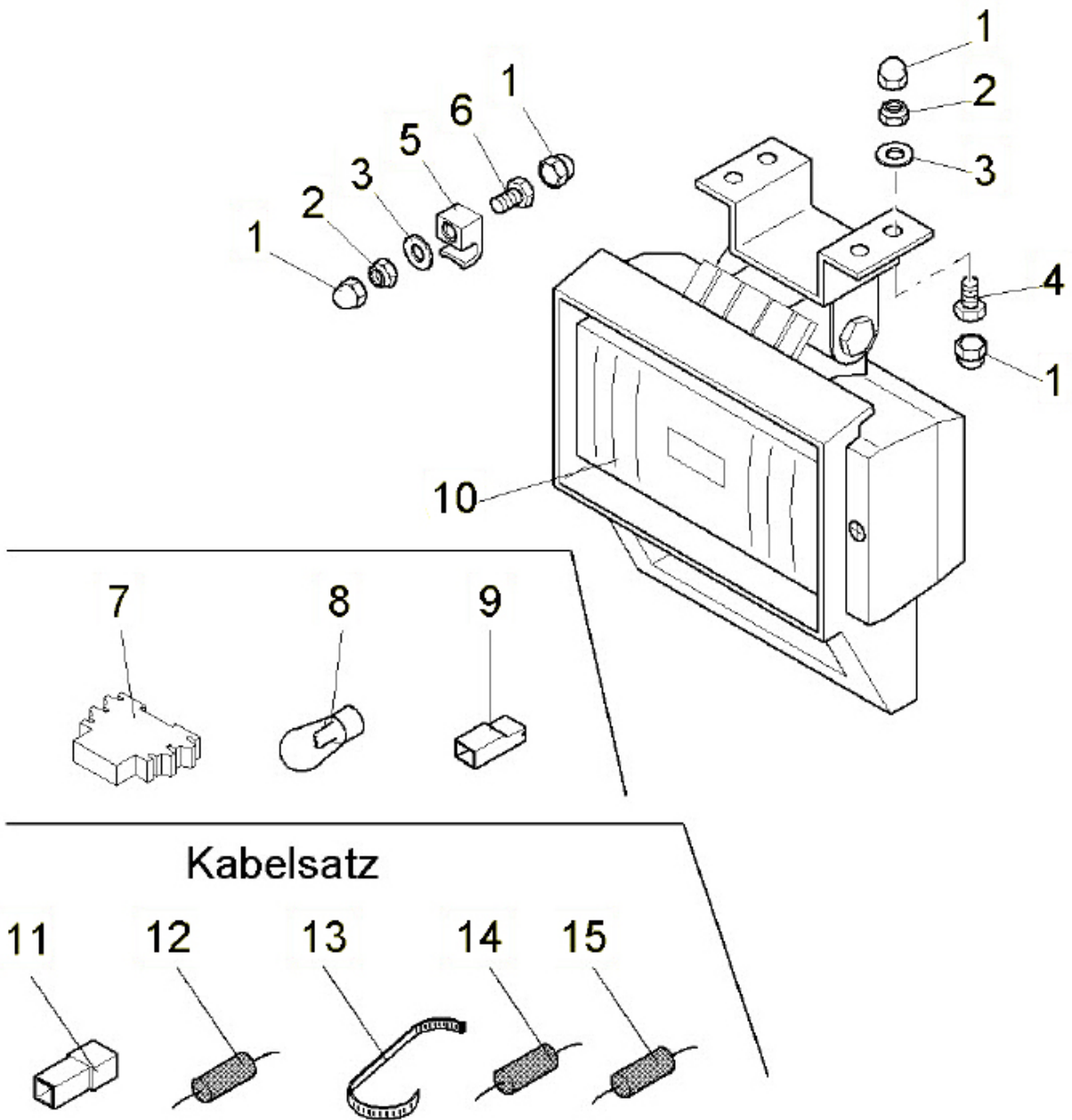
MARKING (97100093)			
ITEM	PART NO.	QTY	DESCRIPTION
1	03008000	2	DECAL ADMIRAL 42
2	01074400	1	DECAL CAUSTIC SOLUTION TANK
3	03008020	1	DECAL POWER BOSS
4	03008790	1	BACKING FILM
5	01071710	1	DECAL "INSTRUCTION MANUAL"
6	01170060	1	DECAL FOUL WATER
7	01170130	1	DECAL
8	03008010	1	DECAL ADMIRAL SERIES
9	01170140	1	DECAL
10	01170150	1	DECAL SOLUTION TANK
11	01131560	1	DECAL PARKING BRAKE

OVERHEAD GUARD (99758200BT10)



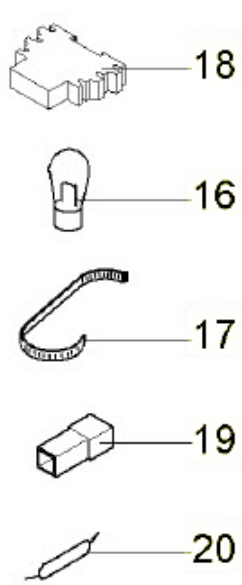
OVERHEAD GUARD (99758200BT10)				
ITEM	PART NO.	QTY	DESCRIPTION	REMARKS
1	00747210	16	LENS CAP	
2	00053160	8	HEXAGON SCREW M10X30-8.8 A3G	
3	00053760	16	WASHER A10,5-140HV-ST A2G	
4	XXXXXXXX	1	PART-NO. TIL YET	96069364 REAR STAKE, RH.
5	XXXXXXXX	1	PART-NO. TIL YET	96069356 PROTECTION ROOF
6	00051500	8	HEXAGON NUT M10-6 A2G	
7	00053730	4	WASHER A6,4-140HV-ST A2G	
8	00051520	2	HEXAGON NUT M6-6 A2G	
9	00525910	2	LENS CAP	
10	00053030	2	HEXAGON SCREW M6X25-8.8 A2G	
11	00525910	2	LENS CAP	
12	00131610	8	LENS CAP	
13	00053090	8	HEXAGON SCREW M8X20-8.8 A2G	
14	00042900	8	WASHER 8,4-140HV-ST A3G	
15	XXXXXXXX	1	PART-NO. TIL YET	96100821 PLATE R.H.
16	XXXXXXXX	1	PART-NO. TIL YET	96100813 PLATE L.H.
18	XXXXXXXX	1	PART-NO. TIL YET	96069380 FRONT STAKE, RH.
19	00650380	1	REAR VIEW MIRROR	
20	XXXXXXXX	1	PART-NO. TIL YET	96069398 FRONT STAKE, L.H.
21	XXXXXXXX	1	PART-NO. TIL YET	96069372 REAR STAKE, LH.

WORK HEAD LIGHT (99758402BT10)

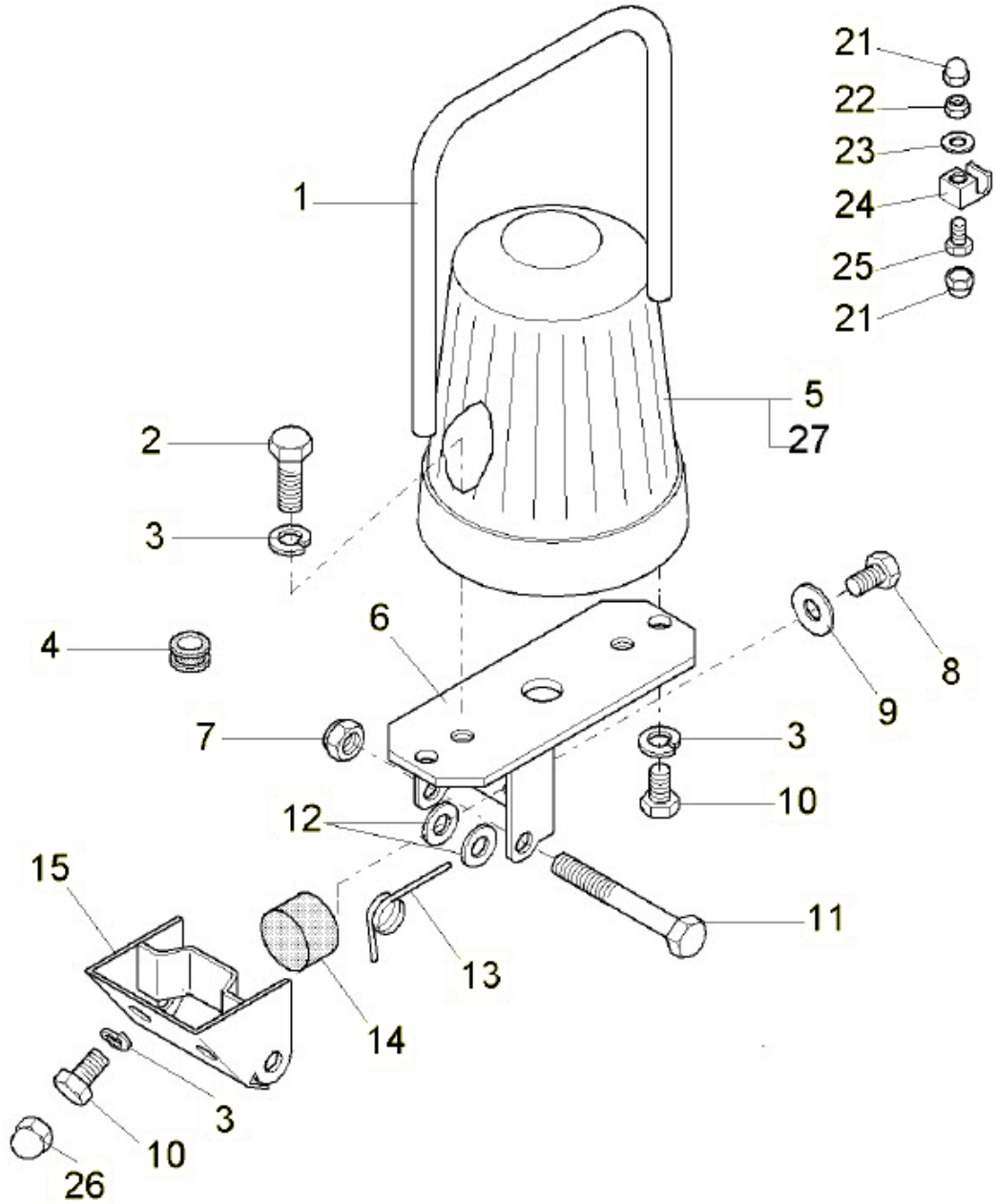
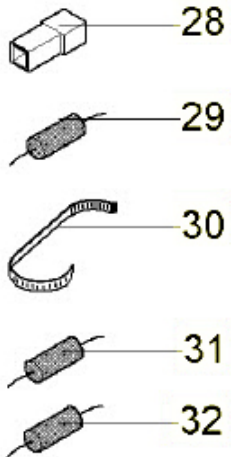


WORK HEAD LIGHT (99758402BT10)			
ITEM	PART NO.	QTY	DESCRIPTION
1	00525910	22	LENS CAP
2	00051520	11	HEXAGON NUT M6-6 A2G
3	00053730	22	WASHER A6,4-140HV-ST A2G
4	00053020	8	HEXAGON SCREW M6X20-8.8 A2G
5	00100550	3	CLAMP A6 NYLFIX
6	00053030	3	HEXAGON SCREW M6X25-8.8 A2G
7	00976320	1	CIRCUIT BREAKER
8	00050770	2	BULB 24V70W
9	00083640	4	PLASTIC COVER
10	00980040	2	WORK HEADLIGHT
11	00083650	4	PLASTIC COVER
12	00050760	1	DIODE
13	00121010	1	CABLE TIE PLT1M-M
14	00734820	1	RESISTANCE KKA5 5W 1,2K-OHM
15	00734840	1	RESISTANCE KKA5 5W 82-OHM

WARNING BEACON (99758502BT10)

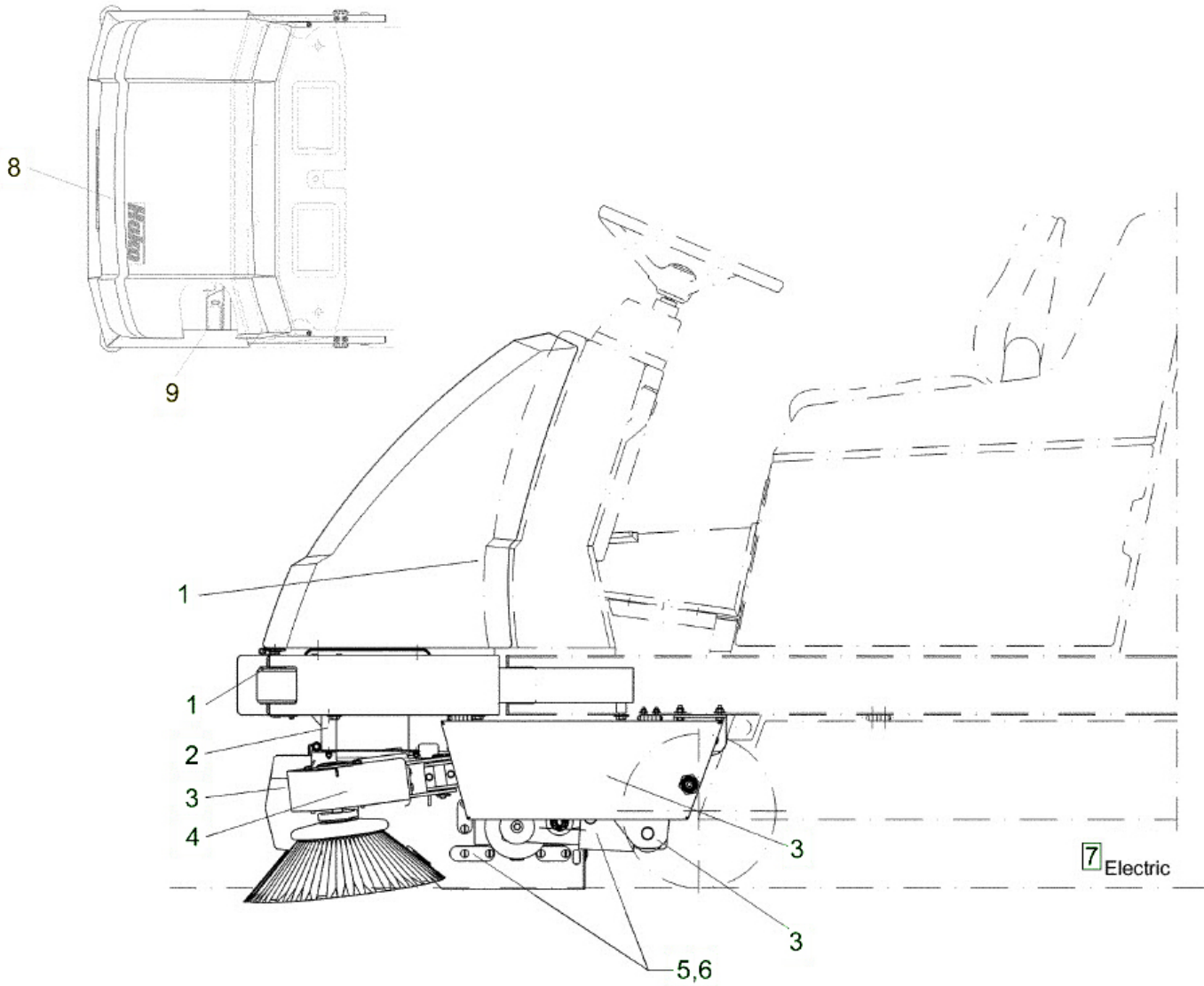


Kabelsatz



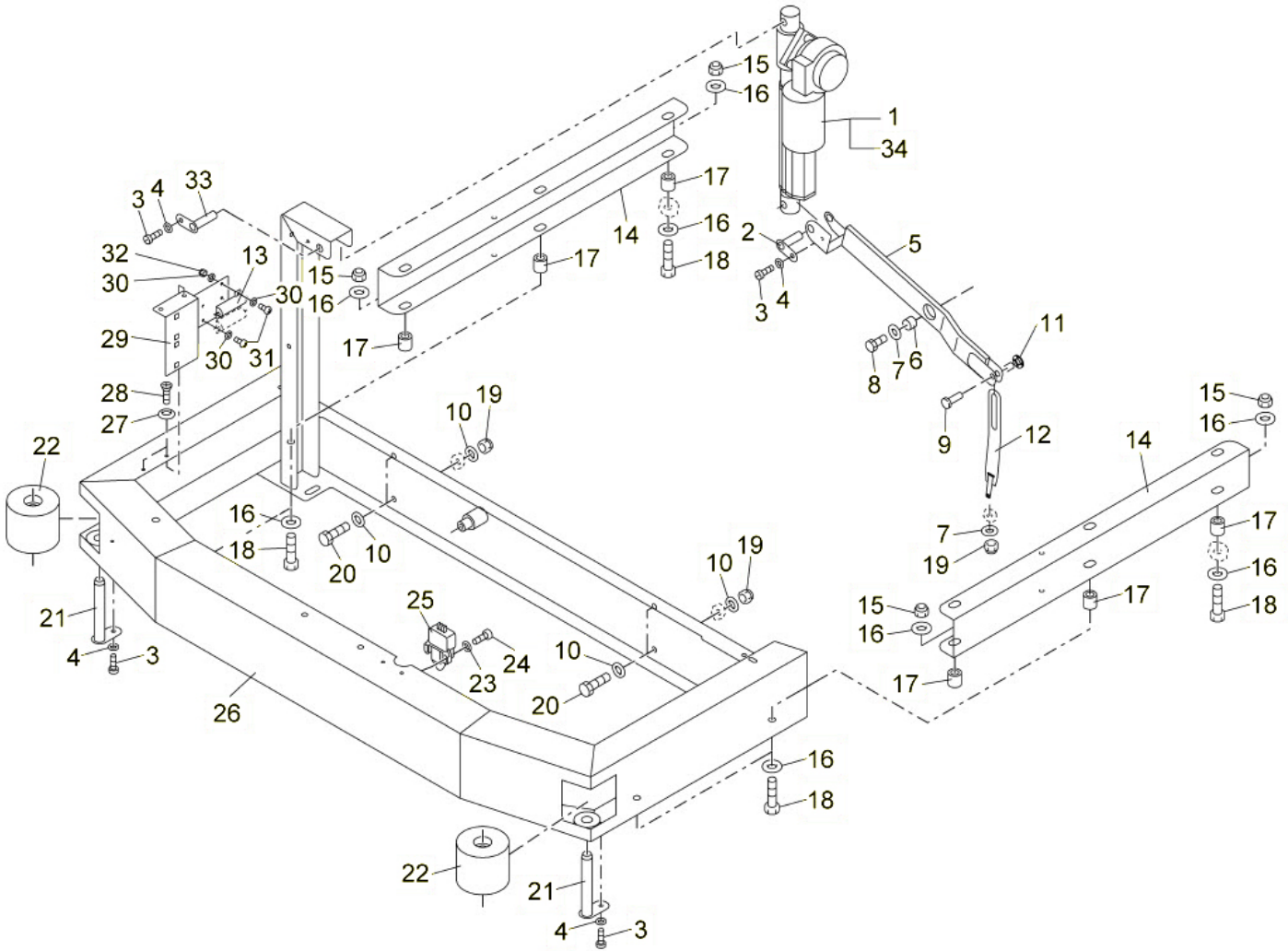
WARNING BEACON (99758502BT10)				
ITEM	PART NO.	QTY	DESCRIPTION	REMARKS
1	00966070	1	HANDLE	
2	00053110	2	HEXAGON SCREW M8X30-8.8 A2G	
3	00053410	6	LOCK WASHER A8-MP-VERZ.,W-CHROM.	
4	00129850	1	CABLE SLEEVE	
5	00451320	1	WARNING BEACON	
6	01059180	1	SUPPORT	
7	00051510	1	HEXAGON NUT M8-8 A2G	
8	00151810	1	HEXAGON SCREW M8X12-8.8 A2G	
9	00042900	1	WASHER 8,4-140HV-ST A3G	
10	00053080	4	HEXAGON SCREW M8X16 8.8 A2G	
11	00534440	1	HEX.BOLT M8X80-8.8 A2G	
12	00053750	2	WASHER A8,4-140HV-ST A2G	
13	00966090	4	TORSION SPRING	
14	00733560	1	BUMPER	
15	XXXXXXXX	1	PART-NO. TIL YET	96065933 ANGLE
16	00150390	1	BULB 36V	
17	00121010	1	CABLE TIE PLT1M-M	
18	00976320	1	CIRCUIT BREAKER	
19	00083650	2	PLASTIC COVER	
20	00050760	1	DIODE	
21	00525910	6	LENS CAP	
22	00051520	3	HEXAGON NUT M6-6 A2G	
23	00053730	6	WASHER A6,4-140HV-ST A2G	
24	00100550	3	CLAMP A6 NYLFIX	
25	00053030	3	HEXAGON SCREW M6X25-8.8 A2G	
26	00131610	4	LENS CAP	
28	00083650	1	PLASTIC COVER	
29	00050760	1	DIODE	
30	00121010	1	CABLE TIE PLT1M-M	
31	00734820	1	RESISTANCE KKA5 5W 1,2K-OHM	
32	00734840	1	RESISTANCE KKA5 5W 82-OHM	

PRE-SWEEP ATTACHMENT HKM B 1100 (7581.02) (99758102)



PRE-SWEEP ATTACHMENT HKM B 1100 (7581.02) (99758102)				
ITEM	PART NO.	QTY	DESCRIPTION	REMARKS
1	97043103-970 43129		BASE FRAME - LIFTER	NOT AVAILABLE! POS. HAS SUB-ASSEMBLIES!
2	97043186		FILTER INSTALLATION – VIBRATOR SYSTEM	NOT AVAILABLE! POS. HAS SUB-ASSEMBLIES!
3	97043095-970 43111		LIFTER HOPPER - FRAME - COVERING	NOT AVAILABLE! POS. HAS SUB-ASSEMBLIES!
4	97071187-970 71195		SIDE BRUSH INSTALLATION (L.H. AND R.H.)	NOT AVAILABLE! POS. HAS SUB-ASSEMBLIES
5	97043152-970 49145-1		SWEEPER ROLLER WITH DRIVE, L.H. - BROOM TUNNEL L.H.	NOT AVAILABLE! POS. HAS SUB-ASSEMBLIES!
6	97043152-970 49145-2		SWEEPER ROLLER WITH DRIVE, R.H. - BROOM TUNNEL R.H.	NOT AVAILABLE! POS. HAS SUB-ASSEMBLIES!
7	97049092		ELECTRIC PRE-SWEEP-ATTACHMENT	NOT AVAILABLE! POS. HAS SUB-ASSEMBLIES!
8	01076790	1	DECAL HAKO SILVER 147X40	
9	03008790	1	BACKING FILM	

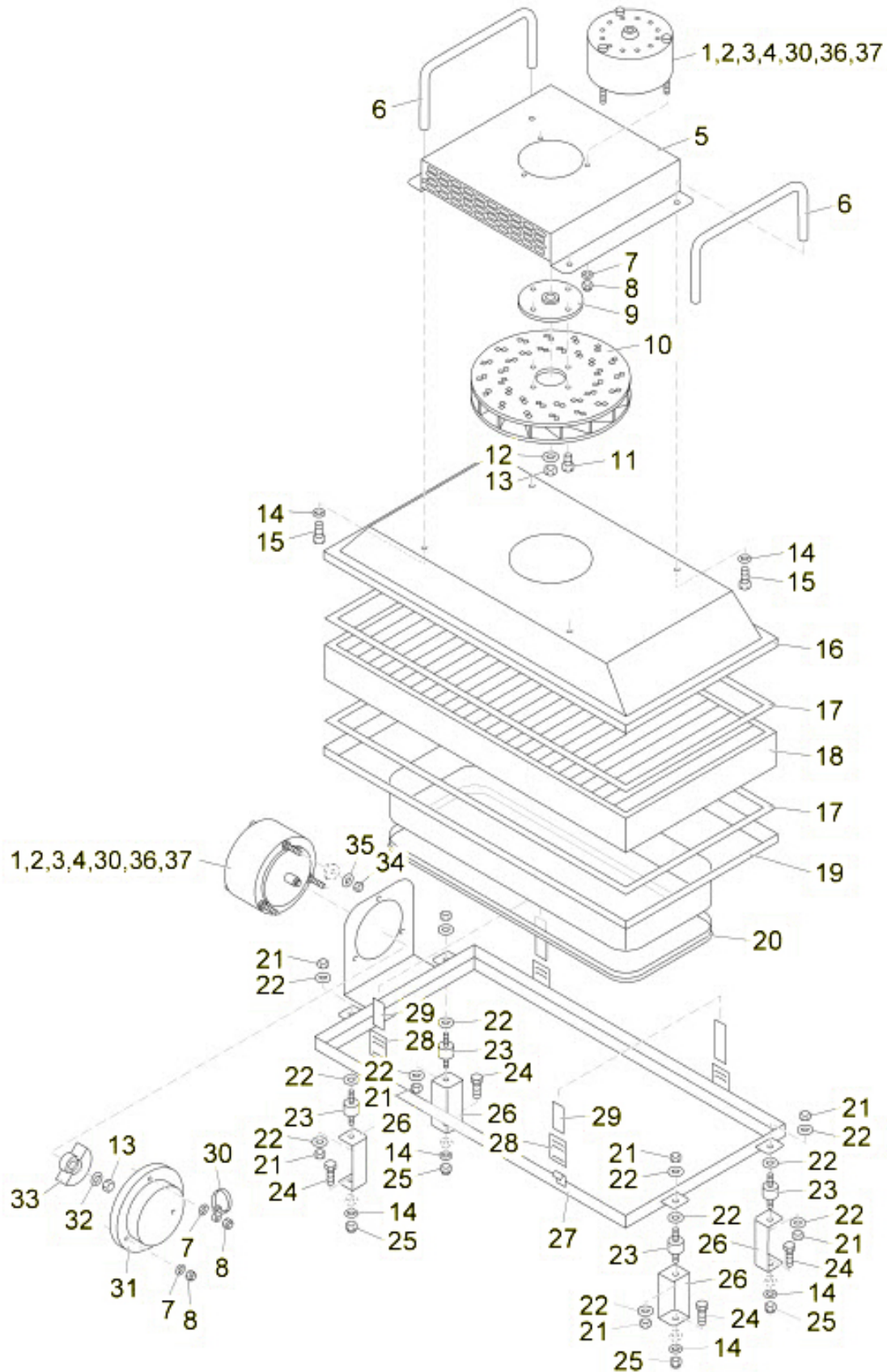
BASE FRAME - LIFTER (97043103-97043129)



BASE FRAME - LIFTER (97043103-97043129)

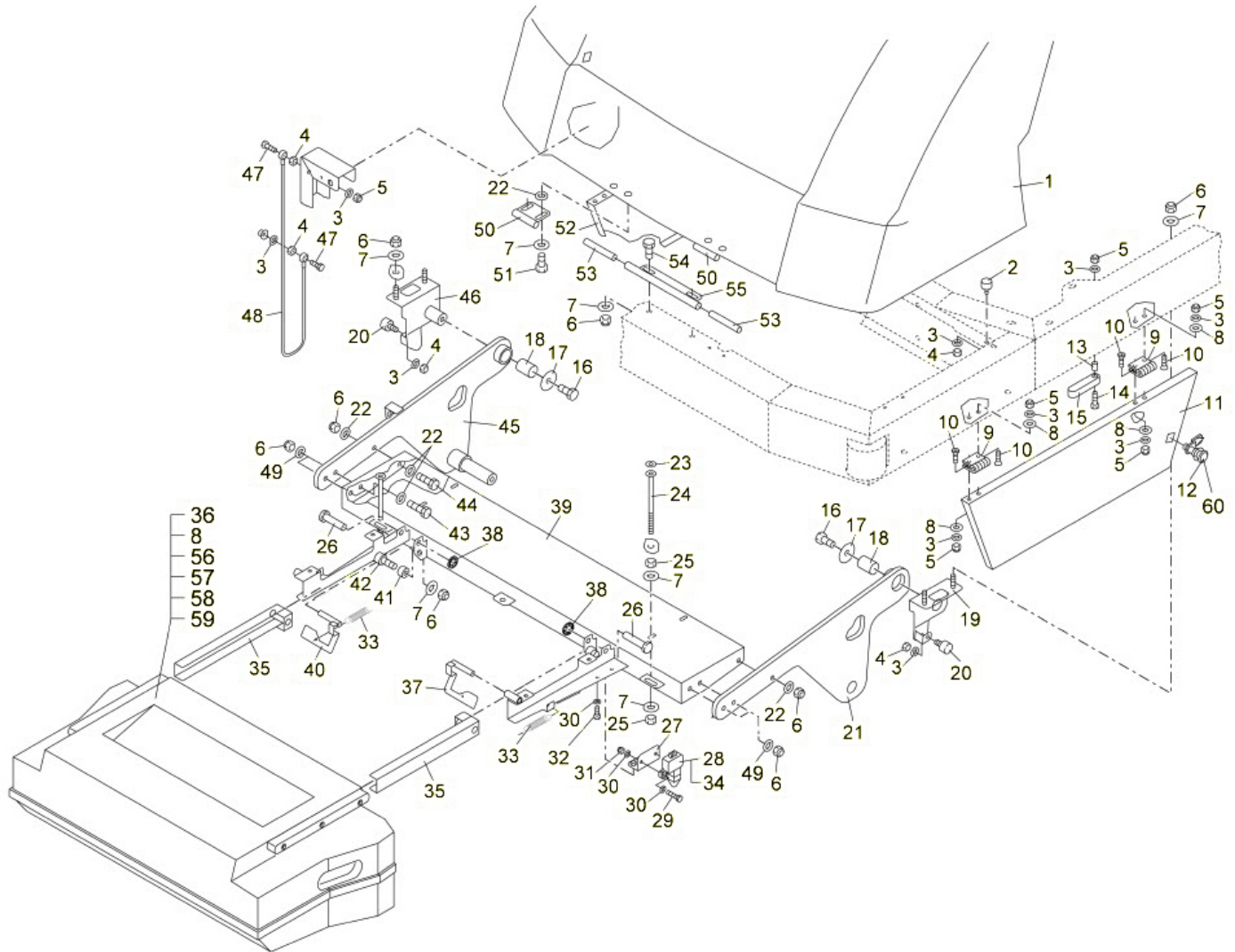
ITEM	PART NO.	QTY	DESCRIPTION	REMARKS
1	00650110	1	LIFTING SPINDLE	
2	00102420	1	BOLT	
3	00959220	1	SCREW C M5X12-ST A2G TORX	
4	00053720	4	WASHER A5,3-140HV-ST A2G	
5	00981030	1	LEVER	
6	00523240	1	DU-DRYING SOCKET 16X18X15	
7	00042900	1	WASHER 8,4-140HV-ST A3G	
8	00053080	1	HEXAGON SCREW M8X16 8.8 A2G	
9	00057980	1	BOLT	
10	00053750	5	WASHER A8,4-140HV-ST A2G	
11	00854420	1	THRUST WASHER 8	
12	01051830	1	SUPPORT	
13	00903500	1	HIGH LOAD WIREWOUND RESISTOR	
14	00981010	2	CARRIER	
15	00051500	4	HEXAGON NUT M10-6 A2G	
16	00046520	8	WASHER 10,5-140HV-ST A3G	
17	00102330	4	SPACER PIECE	
18	00133450	8	HEX.BOLT M10X50-8.8 A3G	
19	00051510	3	HEXAGON NUT M8-8 A2G	
20	00053100	2	HEXAGON SCREW M8X25-8.8 A2G	
21	00102290	2	BOLT	
22	00975150	2	ROLLER	
23	00053710	2	WASHER B4,3-140HV-ST A2G	
24	00523520	2	HEX.BOLT M4X16-8.8 A2G	
25	00927610	1	SWITCH	
26	00035260	1	FRONT FRAME	
27	XXXXXXXX	2	PART-NO. TIL YET	12349031 ANNULAR PLATE
28	00051890	2	SCREW M4X16-4.8-H A2G	
29	00976420	1	ANGLE	
30	00553740	4	WASHER A3,2-140HV-ST A2G	
31	00535780	4	FILLISTER-HEAD SCREW M3X10-4.8-H A2G	
32	00022200	4	HEX. NUT M3-6 A2G	
33	00102400	1	BOLT	
34	00962620	1	CLAMP	

FILTER INSTALLATION - VIBRATOR SYSTEM (97043186)



FILTER INSTALLATION - VIBRATOR SYSTEM (97043186)			
ITEM	PART NO.	QTY	DESCRIPTION
1	00512370	2	E-MOTOR
2	00746530	2	RING
3	00903190	4	TAB
4	00903180	2	PLASTIC COVER
5	00981080	1	HOOD
6	00102700	2	GRASP HANDLE
7	00053720	6	WASHER A5,3-140HV-ST A2G
8	00051340	6	HEXAGON NUT M5-6 A2G
9	00927460	1	FLANGE
10	00661680	1	FAN WHEEL 200X34
11	00025260	4	HEXAGON SCREW M6X10-8.8 A2G
12	00042900	1	WASHER 8,4-140HV-ST A3G
13	00747350	2	HEX. NUT M8X1,0-17H A2G
14	00053730	12	WASHER A6,4-140HV-ST A2G
15	00053010	4	HEX.BOLT M6X16-8.8 A2G
16	00980980	1	FILTER HOOD
17	00748620	3400MM	GASKET TESAMOLL 12X4
18	00251060	1	PLATE FILTER
19	00981000	1	FILTER BOX
20	01052820	1360MM	EDGE PROTECTION 1,0-4,0
21	00053350	16	HEXAGON NUT M8-8 A2G
22	00135120	12	WASHER 6,4-140HV-ST A3G
23	00874470	2	BUFFER
24	00053020	4	HEXAGON SCREW M6X20-8.8 A2G
25	00051520	4	HEXAGON NUT M6-6 A2G
26	00102710	4	ANGLE
27	00980960	1	SUPPORT
28	00109580	2	BRACKET
29	00059890	2	TIGHTENING STRAP
30	01074880	2	CABLE TIE TY1435M
31	00704290	1	COVER
32	00053750	1	WASHER A8,4-140HV-ST A2G
33	00704270	1	VIBRATION TRADE
34	00053320	6	HEX. NUT M5-8 A2G
35	00555520	3	WASHER 5,3-140HV-ST A3G
36	00928630	2	CARBON BRUSH
37	00903500	1	HIGH LOAD WIREWOUND RESISTOR

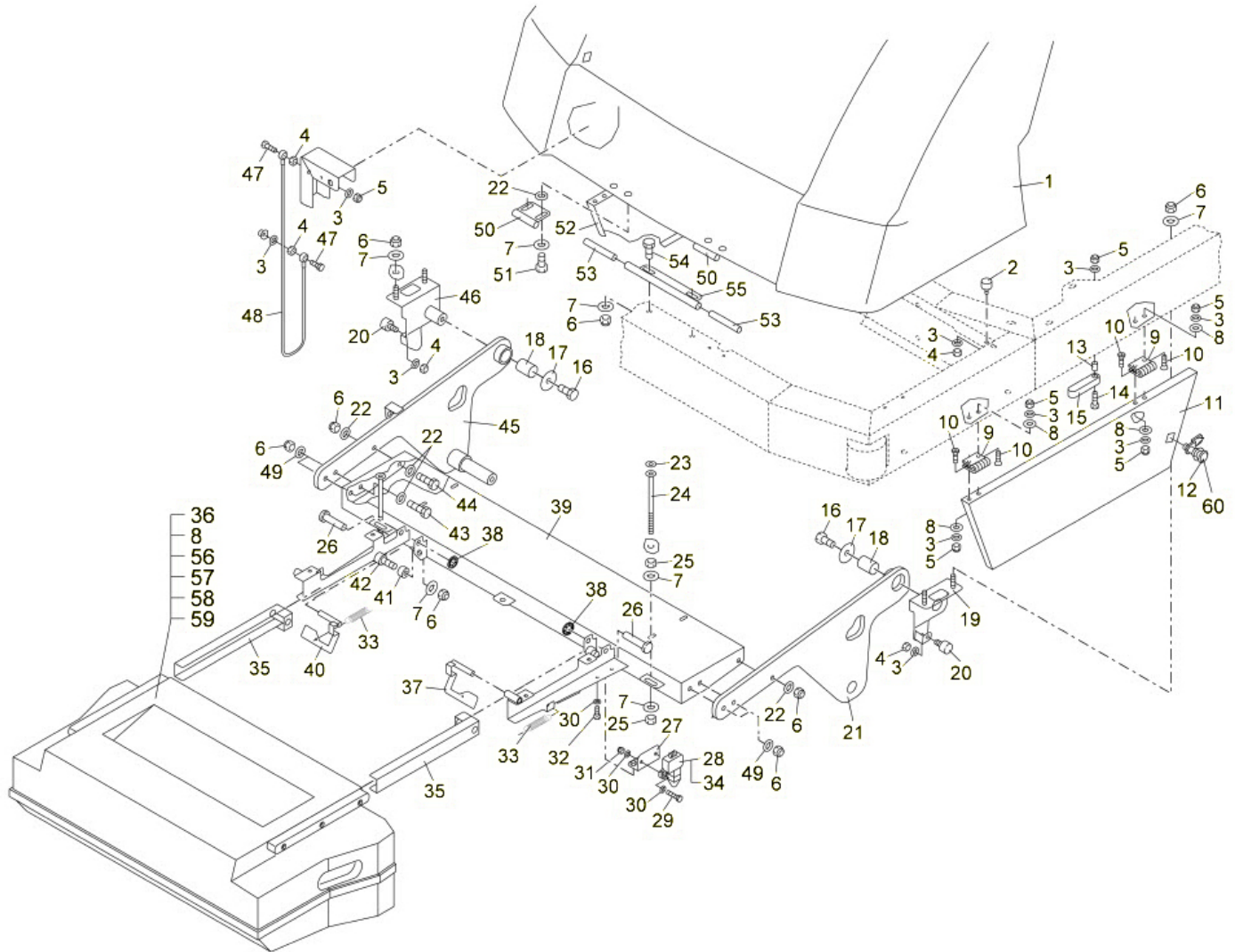
LIFTER HOPPER - FRAME - COVERING (97043095-97043111)



LIFTER HOPPER - FRAME - COVERING (97043095-97043111)

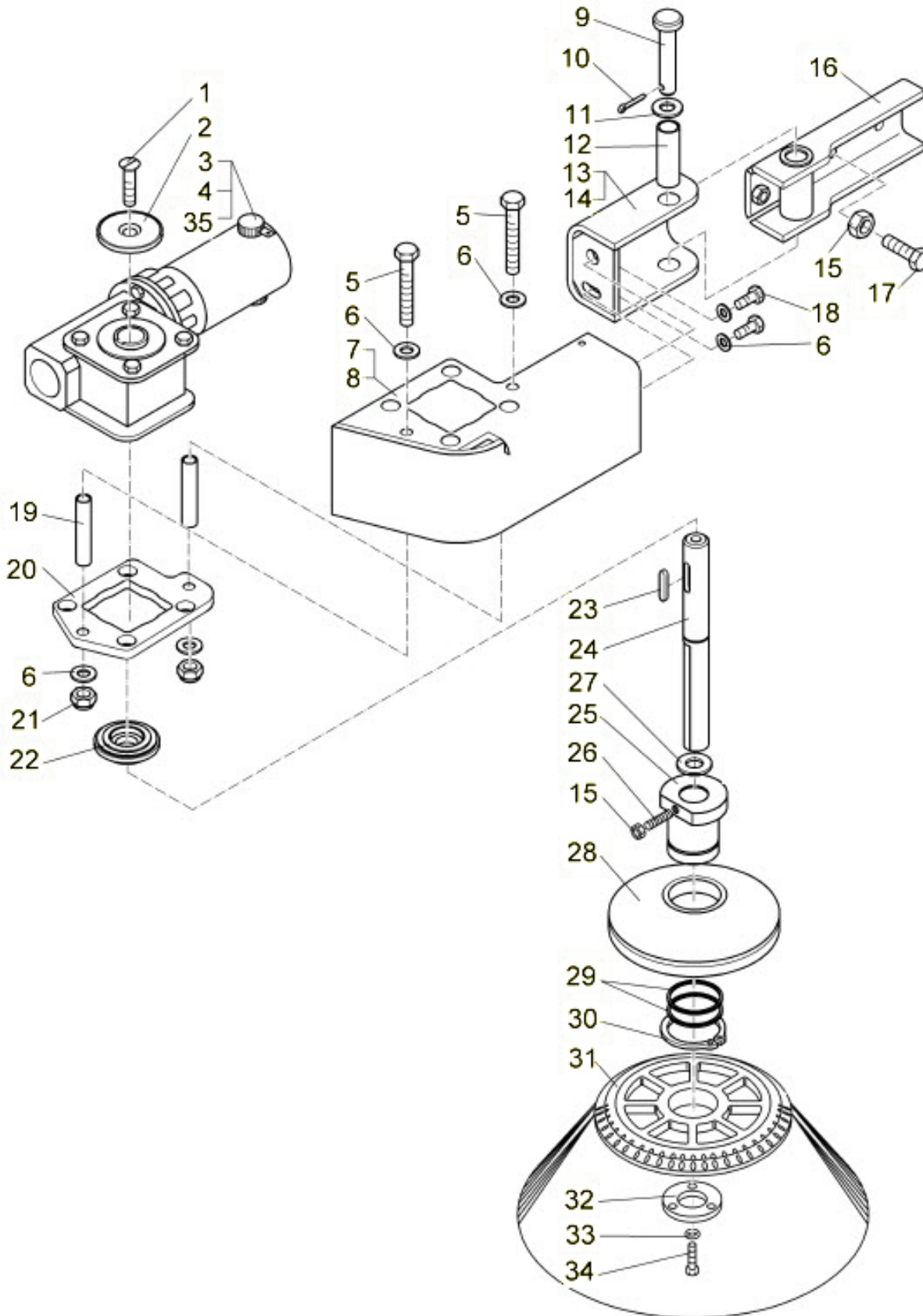
ITEM	PART NO.	QTY	DESCRIPTION
1	00035090	1	HOOD
2	00854090	2	STOP BUFFER 60 SHORE
3	00053730	18	WASHER A6,4-140HV-ST A2G
4	00053330	5	HEXAGON NUT M6-8 A2G
5	00051520	7	HEXAGON NUT M6-6 A2G
6	00051510	4	HEXAGON NUT M8-8 A2G
7	00042900	14	WASHER 8,4-140HV-ST A3G
8	00135120	15	WASHER 6,4-140HV-ST A3G
9	00522530	4	HINGE
10	00021310	16	COUNTERSUNK SCREW M6X20-4.8-H A2G
11	01057500	1	FLAP L.H.
12	00975120	2	BOLT LOCK
13	00102380	2	BUSHING
14	00053040	2	HEX.BOLT M6X30-8.8 A2G
15	00102370	2	PLATE
16	00021130	2	HEX.BOLT M10X20-8.8 A3G
17	01177570	2	WASHER
18	00107200	4	DU-DRYING SOCKET 25X28X15
19	00976410	1	ANGLE L.H.
20	00127470	2	BUFFER
21	01054520	1	PLATE L.H.
22	00053750	8	WASHER A8,4-140HV-ST A2G
23	00102250	2	SEAL
24	00102230	2	THREADED ROD
25	00053350	4	HEXAGON NUT M8-8 A2G
26	00102280	2	BOLT A10H11X70-ST A3G
27	00102240	1	ANGLE
28	00927610	1	SWITCH
29	00108490	2	HEX.BOLT M4X20-8.8 A2G
30	00053710	6	WASHER B4,3-140HV-ST A2G
31	00133830	2	HEX. NUT M4-6 A2G
32	00023080	2	HEX.BOLT M4X12-8.8 A2G
33	00045070	2	TENSION SPRING
34	00927630	1	CAP
35	00976400	2	U-PROFIL
36	00035270	1	LITTER HOPPER
37	00101890	1	ANGLE L.H.
38	00852380	4	THRUST WASHER 10
39	01056120	1	ANGLE
40	00102220	1	ANGLE R.H.

LIFTER HOPPER - FRAME - COVERING (97043095-97043111)



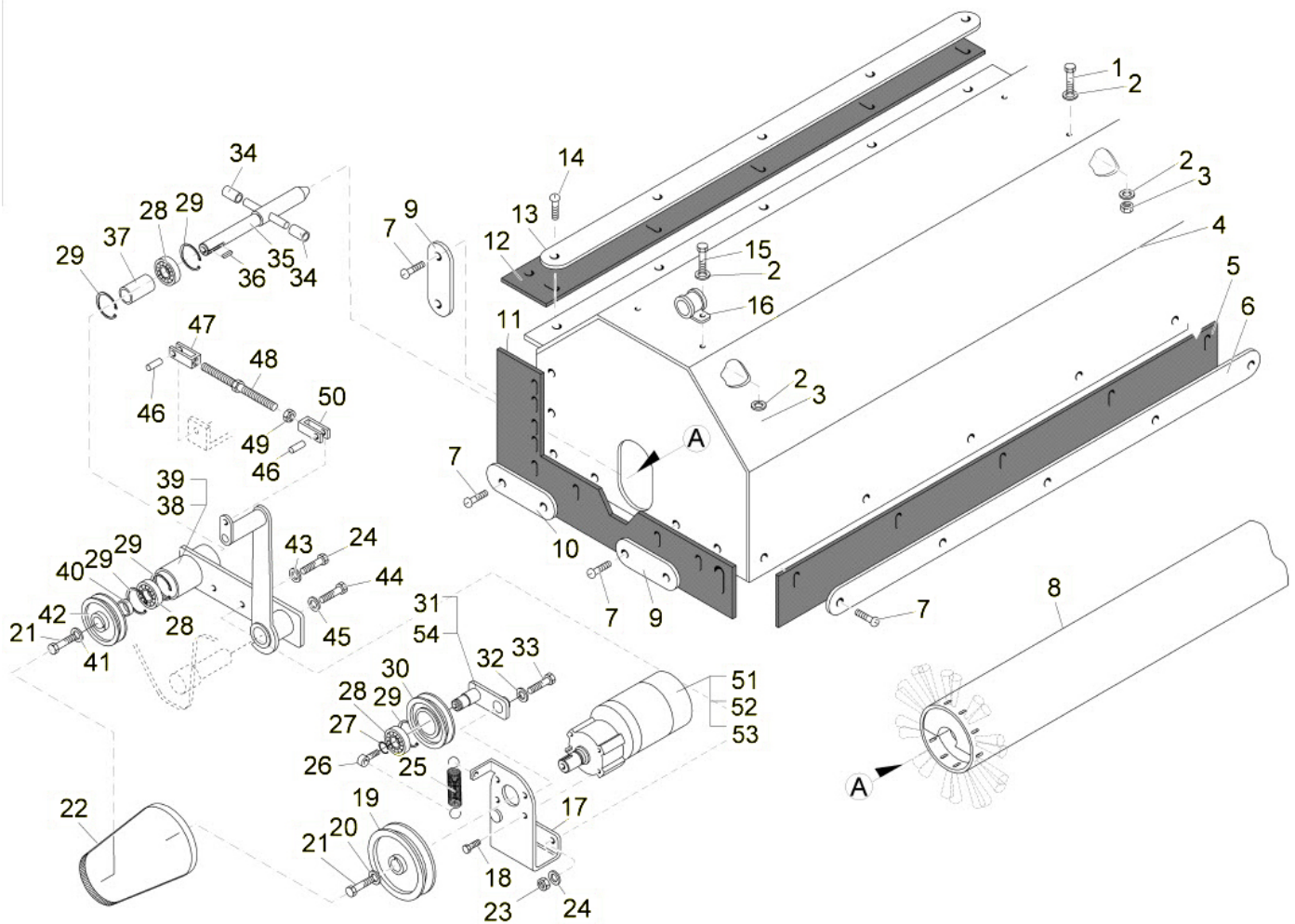
LIFTER HOPPER - FRAME - COVERING (97043095-97043111)			
ITEM	PART NO.	QTY	DESCRIPTION
41	00102260	2	BUSHING
42	00071450	2	SOCKET HEAD SCREW M8X30-8.8 A2G
43	00133700	4	HEXAGON SCREW M8X40-8.8 A2G
44	00053110	2	HEXAGON SCREW M8X30-8.8 A2G
45	01054510	1	PLATE R.H.
46	00976390	1	ANGLE R.H.
47	00053020	2	HEXAGON SCREW M6X20-8.8 A2G
48	00102360	1	ROPE
49	00740090	8	DETENT EDGED WASHER SKM-8-8.8
50	00102350	2	PIPE
51	00151810	4	HEXAGON SCREW M8X12-8.8 A2G
52	01057510	1	FLAP R.H.
53	00102390	2	CYLINDER PIN 10M6X80
54	00053090	2	HEXAGON SCREW M8X20-8.8 A2G
55	00102340	1	PIPE
56	00246250	1	ANGLE
57	00246260	1	ANGLE
58	00051520	11	HEXAGON NUT M6-6 A2G
59	00981020	1	SEALING STRIP
60	00975170	1	KEY

SIDE BRUSH INSTALLATION (L.H. AND R.H.) (97071187-97071195)



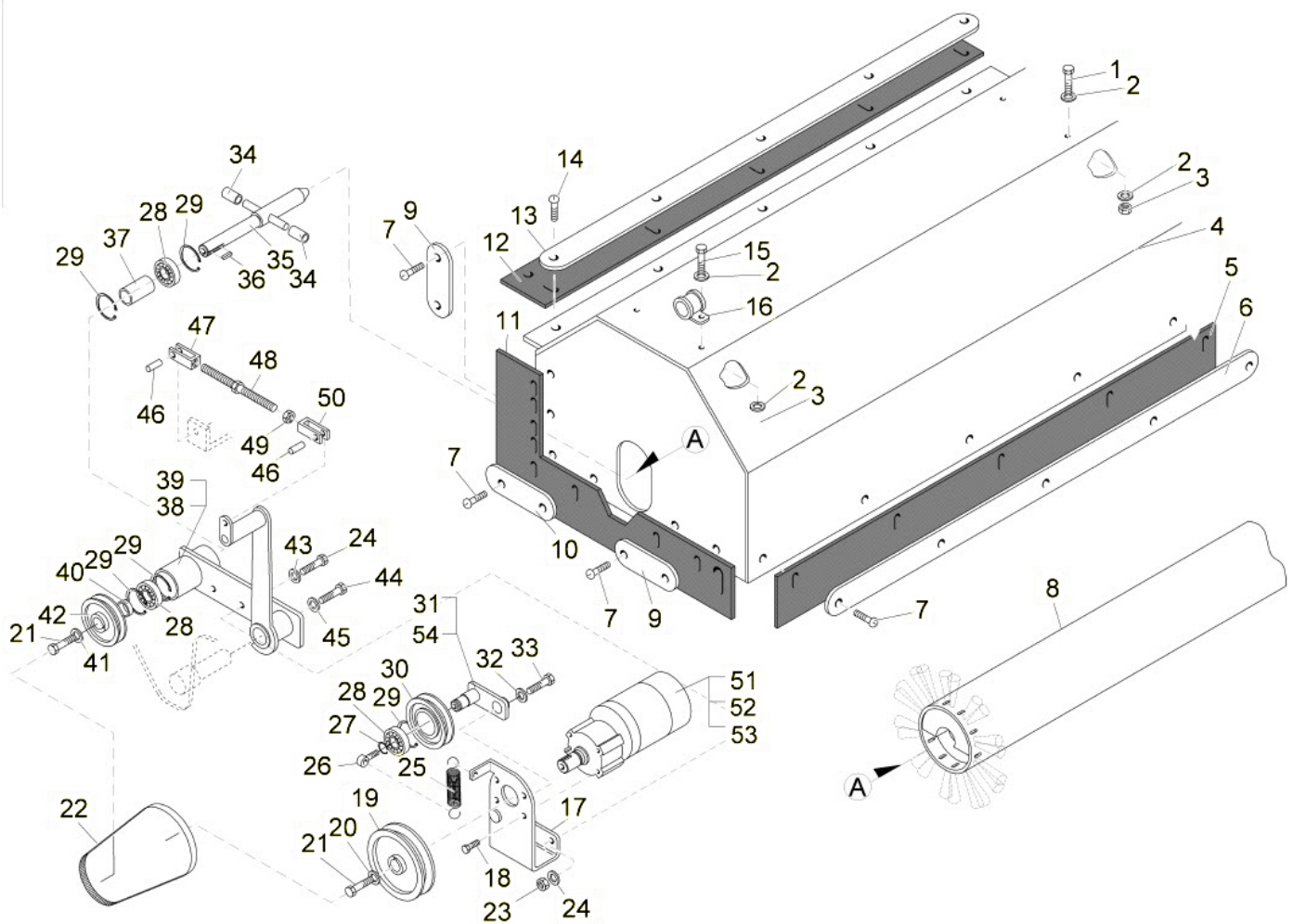
SIDE BRUSH INSTALLATION (L.H. AND R.H.) (97071187-97071195)			
ITEM	PART NO.	QTY	DESCRIPTION
1	00136350	1	SCREW M8X25-8.8
2	01057430	1	DUST COVER
3	01057330	1	ENGINE WITH GEAR UNIT
4	01057320	1	CARBON BRUSH
5	00746390	2	HEX.BOLT M8X90-8.8 A2G
6	00053750	6	WASHER A8,4-140HV-ST A2G
7	01057490	1	SUPPORT L.H.
8	01057460	1	SUPPORT R.H.
9	00879630	1	BOLT B12H11X85-ST A3G
10	00553580	1	COTTER PIN 3,2X20-ST A3G
11	00053770	2	WASHER A13-140HV-ST A2G
12	00077900	2	DU-DRYING SOCKET 12X14X15
13	01057470	1	SUPPORT R.H.
14	01057480	1	SUPPORT L.H.
15	00053350	2	HEXAGON NUT M8-8 A2G
16	01057450	1	SUPPORT
17	00053110	2	HEXAGON SCREW M8X30-8.8 A2G
18	01201790	4	HEX.BOLT M8X20-8.8
19	01057440	2	SPACER PIECE
20	01057400	1	PLATE
21	00051510	2	HEXAGON NUT M8-8 A2G
22	01057420	1	COVER
23	00153010	1	FEATHER KEY A6X6X25 ST50
24	01057410	1	SHAFT
25	00109290	1	BROOM HUB
26	00109310	1	THREADED PIN M8X30-45H
27	00054310	1	RETAINING RING 20X1,2-PHOS.
28	00563260	1	REJECTING PLATE
29	00105330	2	ADJUSTING WASHER 45X55X1
30	00137910	1	RETAINING RING 45X1,75-PHOS.
31	99634800	1	SPARE SIDE BROOM
32	00131020	1	PRESSURE PLATE
33	00053400	3	LOCK WASHER A6-MP-VERZ.,W-CHROM.
34	00154070	3	HEX.BOLT M6X22-8.8 A2G
35	01070710	1	ISOLATING CAP

SWEEPER ROLLER WITH DRIVE, L.H. - BROOM TUNNEL L.H. (97043152-97049145-1)



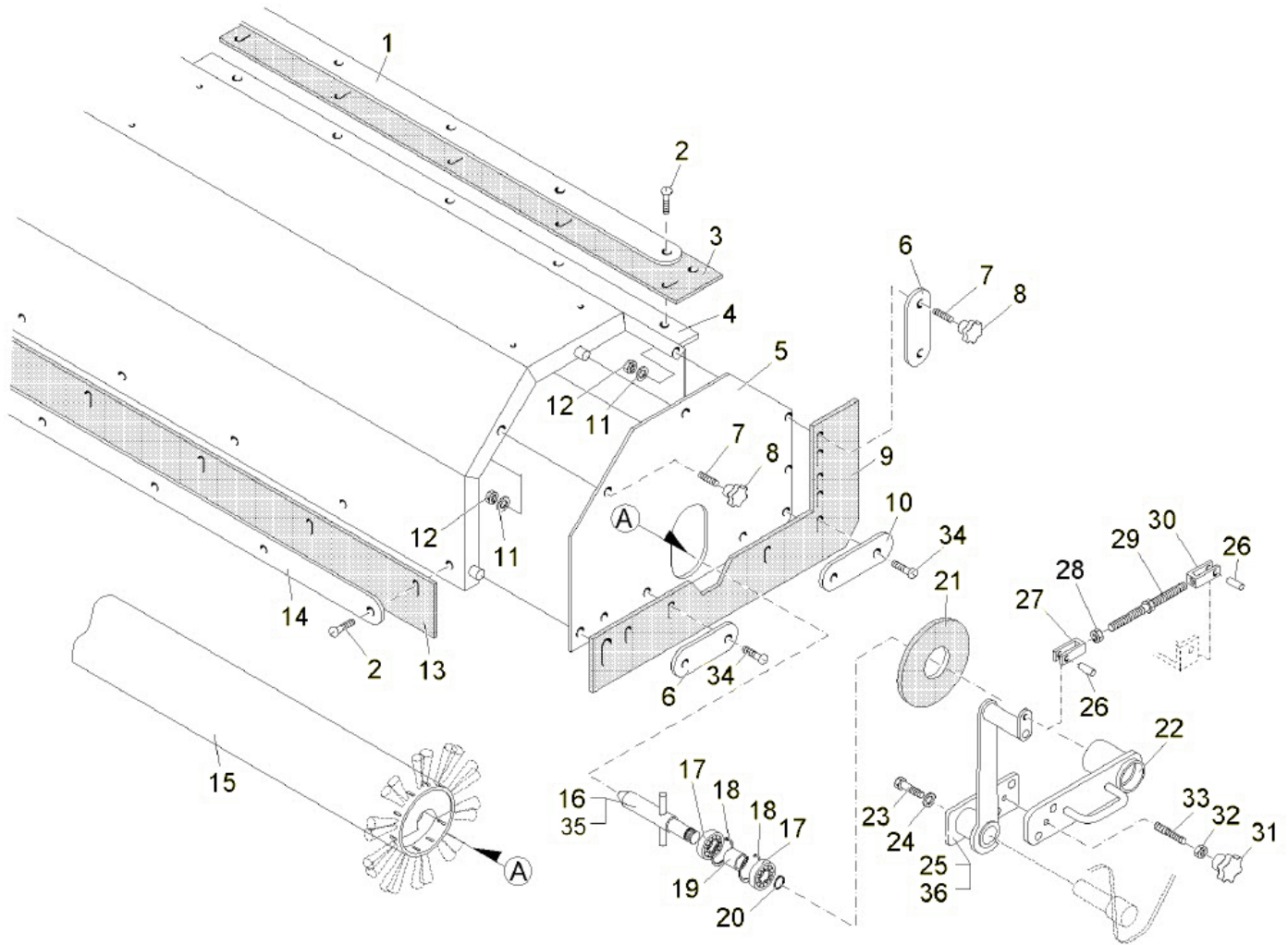
SWEEPER ROLLER WITH DRIVE, L.H. - BROOM TUNNEL L.H. (97043152-97049145-1)			
ITEM	PART NO.	QTY	DESCRIPTION
1	00053020	3	HEXAGON SCREW M6X20-8.8 A2G
2	00135120	7	WASHER 6,4-140HV-ST A3G
3	00051520	4	HEXAGON NUT M6-6 A2G
4	00035280	1	BROOM TUNNEL
5	00981070	1	SEALING STRIP
6	00246270	1	PROP
7	00102490	8	SCREW M6X10-4.6 A2G
8	00980330	1	SWEEPER ROLLER
9	00102460	2	PLATE
10	00102480	1	PLATE
11	00981040	1	SEALING STRIP
12	00981090	1	SEALING STRIP
13	00246280	1	PROP
14	00102520	5	SCREW M6X16-4.6 A2G
15	00154070	1	HEX.BOLT M6X22-8.8 A2G
16	00130250	1	PIPE CLAMP
17	00102560	1	SUPPORT
18	00959310	4	HEX.BOLT M8X20 W151-10.9 A2G
19	00071130	1	V-BELT PULLEY
20	00538850	1	WASHER
21	00053080	2	HEXAGON SCREW M8X16 8.8 A2G
22	00980020	1	NARROW DRIVE BELT 3L 9,5X685
23	00051510	2	HEXAGON NUT M8-8 A2G
24	00053750	4	WASHER A8,4-140HV-ST A2G
25	00702150	1	TENSION SPRING
26	01111020	1	EYE BOLT A M 6X20-4.6 A2G
27	00022230	1	RETAINING RING
28	00106300	3	DEEP GROOVE BALL BEARING 6003-2RSH
29	00101660	3	RETAINING RING 35X1,5
30	00043990	1	IDLER PULLEY
31	00102540	1	PLATE
32	00027070	1	WASHER R9-100HV A2G
33	00151810	1	HEXAGON SCREW M8X12-8.8 A2G
34	00521880	2	HOSE
35	00102550	1	BOLT
36	00022430	1	FEATHER KEY A5X5X18
37	00102590	1	PIPE
38	00107200	2	DU-DRYING SOCKET 25X28X15

SWEEPER ROLLER WITH DRIVE, L.H. - BROOM TUNNEL L.H. (97043152-97049145-1)



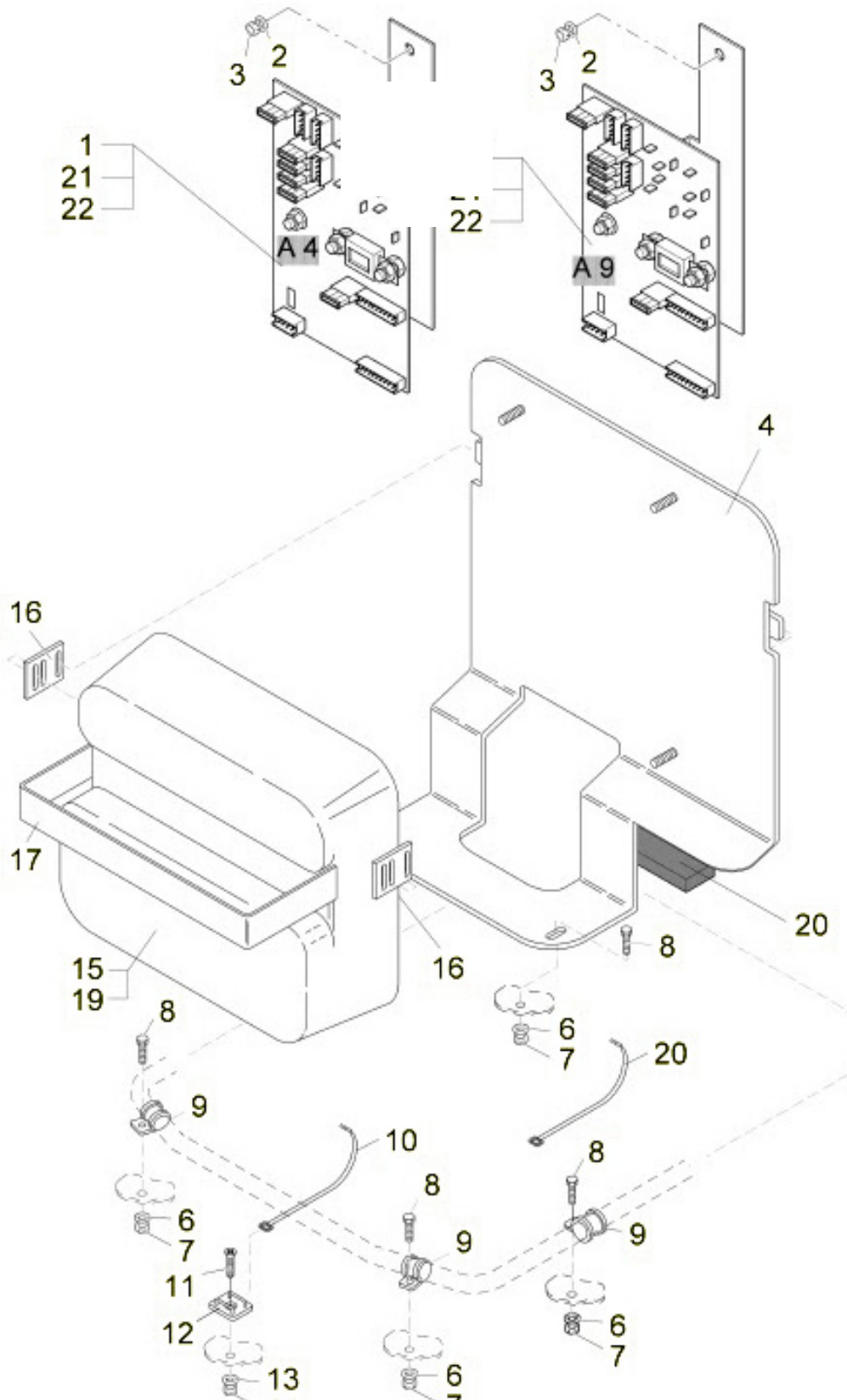
SWEEPER ROLLER WITH DRIVE, L.H. - BROOM TUNNEL L.H. (97043152-97049145-1)			
ITEM	PART NO.	QTY	DESCRIPTION
39	00980970	1	PLATE L.H.
40	00102610	1	BUSHING
41	00042900	1	WASHER 8,4-140HV-ST A3G
42	00043980	1	BELT PULLEY
43	00053110	2	HEXAGON SCREW M8X30-8.8 A2G
44	00021130	1	HEX.BOLT M10X20-8.8 A3G
45	00046520	1	WASHER 10,5-140HV-ST A3G
46	00706030	2	BOLT 8X32 ESN 01 A2G
47	00022320	1	FORK YOKE
48	00102580	1	THREADED ROD
49	00560070	2	HEX. NUT M8-8
50	00027110	1	FORK YOKE G8X32 A2G
51	00911390	1	GEARED MOTOR 36V
52	00553060	1	SET (4PC.) CARBON BRUSH
53	00008110	1	CABLE SET
54	00102650	1	DU-DRYING SOCKET 18X20X20

SWEEPER ROLLER WITH DRIVE, R.H. - BROOM TUNNEL R.H. (97043152-97049145-2)



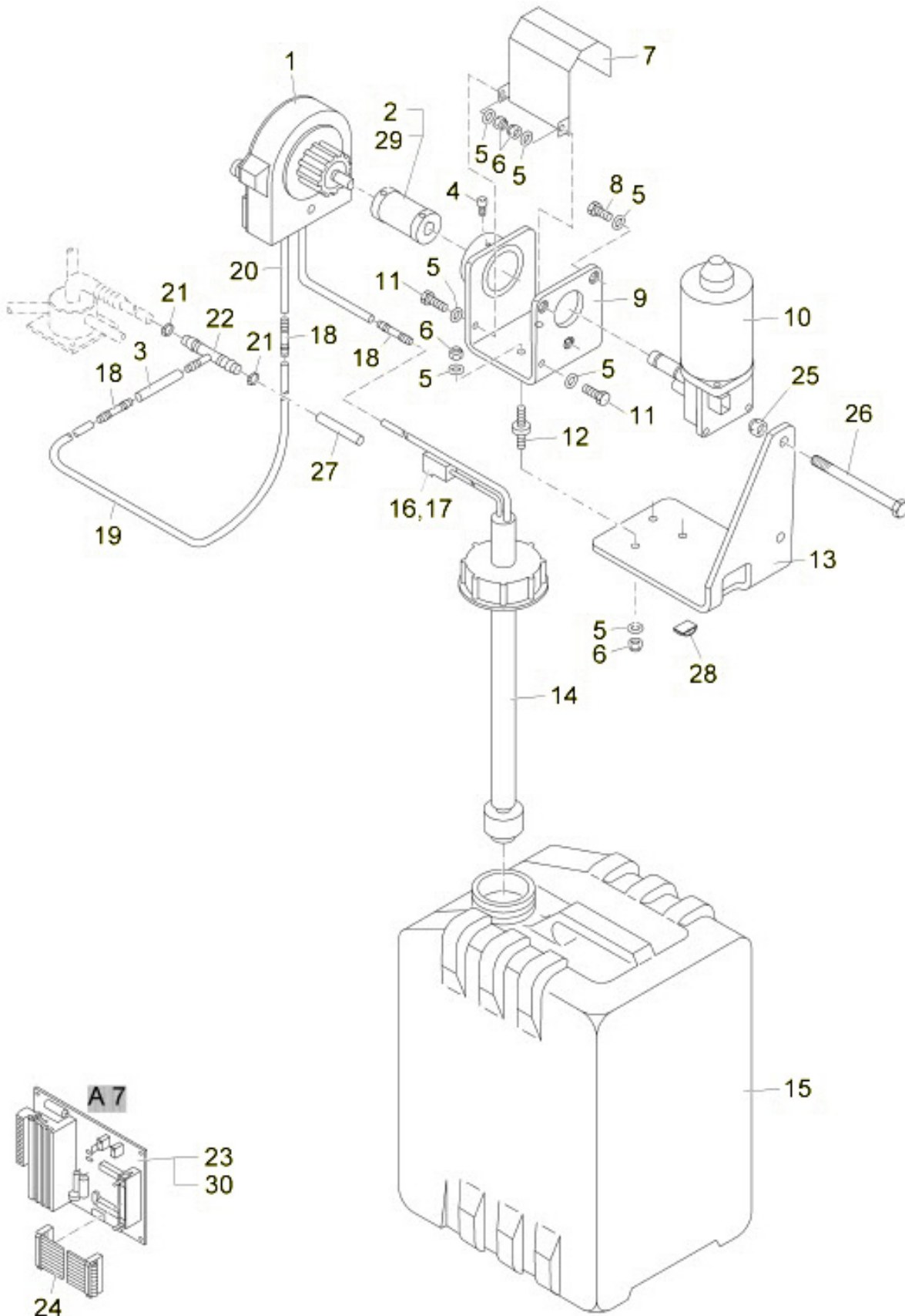
SWEEPER ROLLER WITH DRIVE, R.H. - BROOM TUNNEL R.H. (97043152-97049145-2)			
ITEM	PART NO.	QTY	DESCRIPTION
1	00246280	1	PROP
2	00102520	5	SCREW M6X16-4.6 A2G
3	00981090	1	SEALING STRIP
4	00035280	1	BROOM TUNNEL
5	00981050	1	PLATE
6	00102460	2	PLATE
7	00102530	2	THREADED BOLT 1-M6X30-B-A4-70
8	00853730	2	STAR HANDLE
9	00981040	1	SEALING STRIP
10	00102480	1	PLATE
11	00053400	2	LOCK WASHER A6-MP-VERZ.,W-CHROM.
12	00053330	2	HEXAGON NUT M6-8 A2G
13	00981070	1	SEALING STRIP
14	00246270	1	PROP
15	00980330	1	SWEEPER ROLLER
16	00102570		BOLT
17	00106300	2	DEEP GROOVE BALL BEARING 6003-2RSH
18	00101660	2	RETAINING RING 35X1,5
19	00102620	1	SPACER PIECE
20	00022230	1	RETAINING RING
21	00102630	2	SEALING WASHER
22	00976450	1	PLATE R.H.
23	00021130	1	HEX.BOLT M10X20-8.8 A3G
24	00046520	1	WASHER 10,5-140HV-ST A3G
25	00980990	1	PLATE R.H.
26	00706030	2	BOLT 8X32 ESN 01 A2G
27	00027110	1	FORK YOKE G8X32 A2G
29	00102580	1	THREADED ROD
30	00022320	1	FORK YOKE G8X32-LH-A2G
31	00866720	1	STAR HANDLE M10
32	00560070	1	HEX. NUT M8-8
33	00102640	1	THREADED BOLT 1-M10X40-B-A4
34	00102490	8	SCREW M6X10-4.6 A2G
35	00521880	2	HOSE
36	00107200	2	DU-DRYING SOCKET 25X28X15

ELECTRIC PRE-SWEEP-ATTACHMENT (97049092)



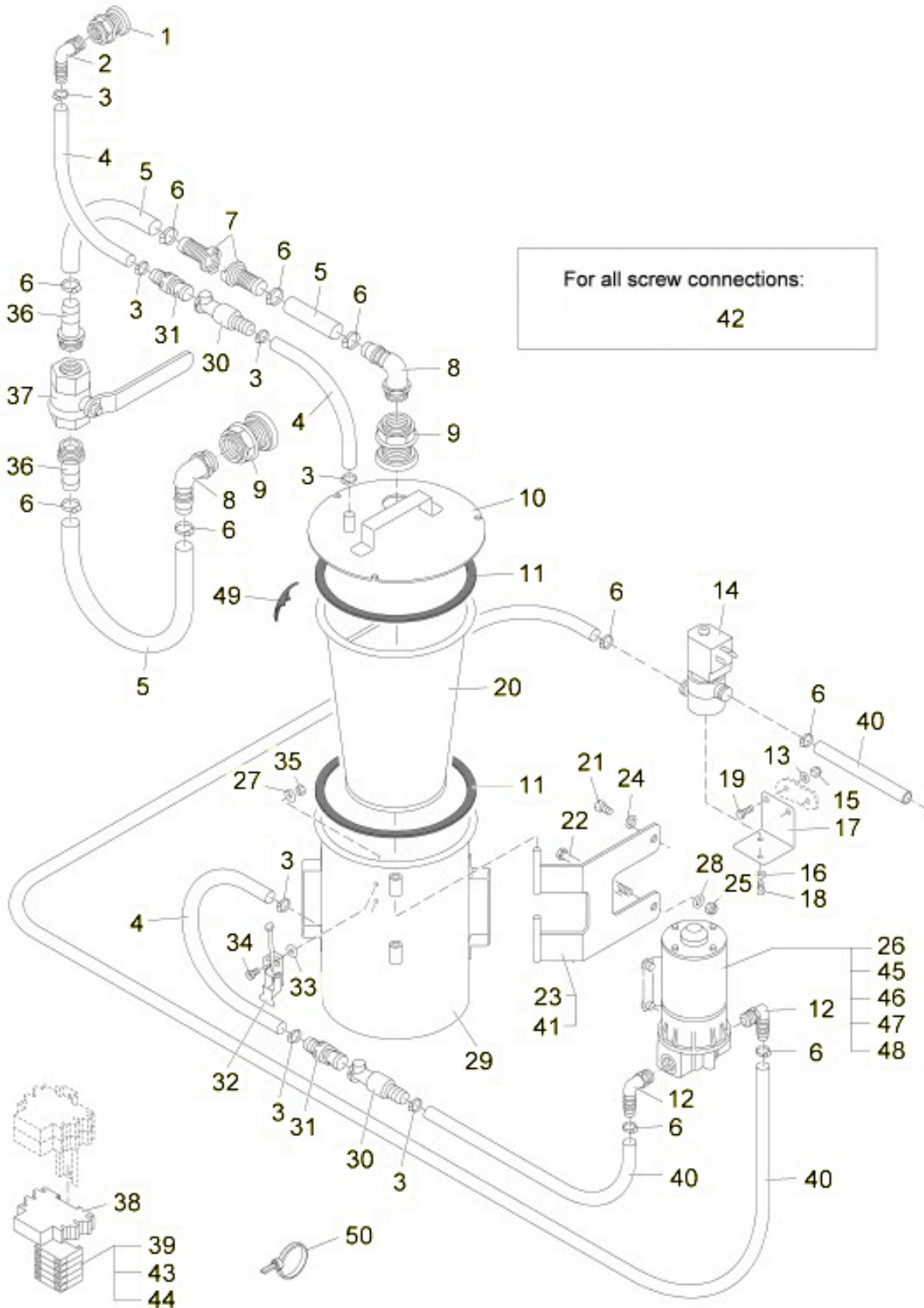
ELECTRIC PRE-SWEEP-ATTACHMENT (97049092)			
ITEM	PART NO.	QTY	DESCRIPTION
1	00512460	1	MODULE
2	00042900	2	WASHER 8,4-140HV-ST A3G
3	00051510	2	HEXAGON NUT M8-8 A2G
4	00722230	1	CONSOLE
5	00512460	1	MODULE
6	00053730	3	WASHER A6,4-140HV-ST A2G
7	00051520	3	HEXAGON NUT M6-6 A2G
8	00053020	3	HEXAGON SCREW M6X20-8.8 A2G
9	00130250	3	PIPE CLAMP RSGU1.12/15 A2G
10	00967760	4	CABLE TIE 4,8X360
11	00731550	1	FILLISTER-HEAD SCREW M4X16-4.8-H A2G
12	00780710	1	SOCKET
13	00023710	1	SHIM
14	00133830	1	HEX. NUT M4-6 A2G
15	00831900	1	HOOD
16	00109580	4	BRACKET
17	01177110	2	TENSION BAND
19	00752350	1	EDGE PROTECTION 1,0-3,5
20	00121150	20	CABLE TIE PLTZM-M
21	00874970	3	FUSE C10A/80V
22	00874960	2	FUSE C20A/80V-3

CLEANING AGENT DOSAGE SYSTEM (99756402)



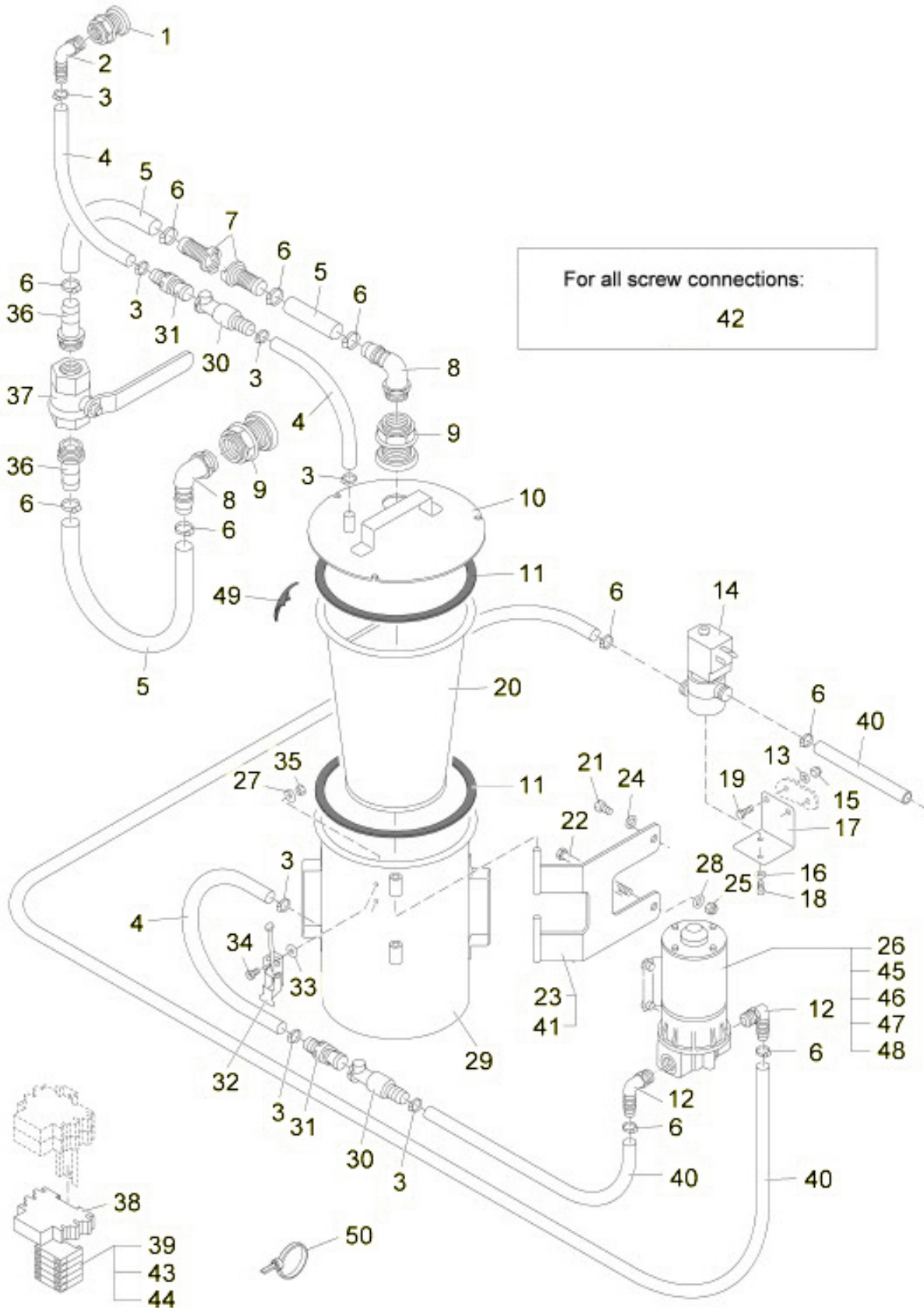
CLEANING AGENT DOSAGE SYSTEM (99756402)			
ITEM	PART NO.	QTY	DESCRIPTION
1	00112290	1	HOSE PUMP
2	00501540	1	CLUTCH
3	00749620	50MM	HOSE 4X2
4	00132360	2	LENS HEAD SCREW M4X10-4.8-H A2G
5	00053730	7	WASHER A6,4-140HV-ST A2G
6	00051520	8	HEXAGON NUT M6-6 A2G
7	00501480	1	COVER PLATE
8	00053010	3	HEX.BOLT M6X16-8.8 A2G
9	00501460	1	ANGLE
10	00112300	1	MOTOR
11	00025260	2	HEXAGON SCREW M6X10-8.8 A2G
12	00702070	3	BUFFER
13	00501470	1	ANGLE
14	00035820	1	SUCTION LANCE
15	00112270	1	TANK
16	00903180	1	PLASTIC COVER
17	00903170	2	TAB 6,3/0,5-1,0MM ²
18	00501610	3	HOSE COUPLING GS 4
19	01090200	2000MM	HOSE 6X4 PVC-TRANSP.
20	00749620	700MM	HOSE 4X2
21	00074300	2	HOSE CLAMP A-8-16X 9-W2-2
22	00501550	1	T-SCREWING
23	00512450	1	CHEMICAL MODUL UNIT
24	00112260	1	FLAT BAND LINE
25	00051510	2	HEXAGON NUT M8-8 A2G
26	00053150	2	HEX.BOLT M8X110-8.8 A2G
27	00112010	120MM	HOSE 12X3 PVC-WEICH
28	00020650	2	CABLE CLIP
29	00501630	1	WOODRUFF KEY 3X3,7-ST60K
30	00745840	4	PRINT PLATE HOLDER

DIRTY WATER RECYCLING SYSTEM (99758302)



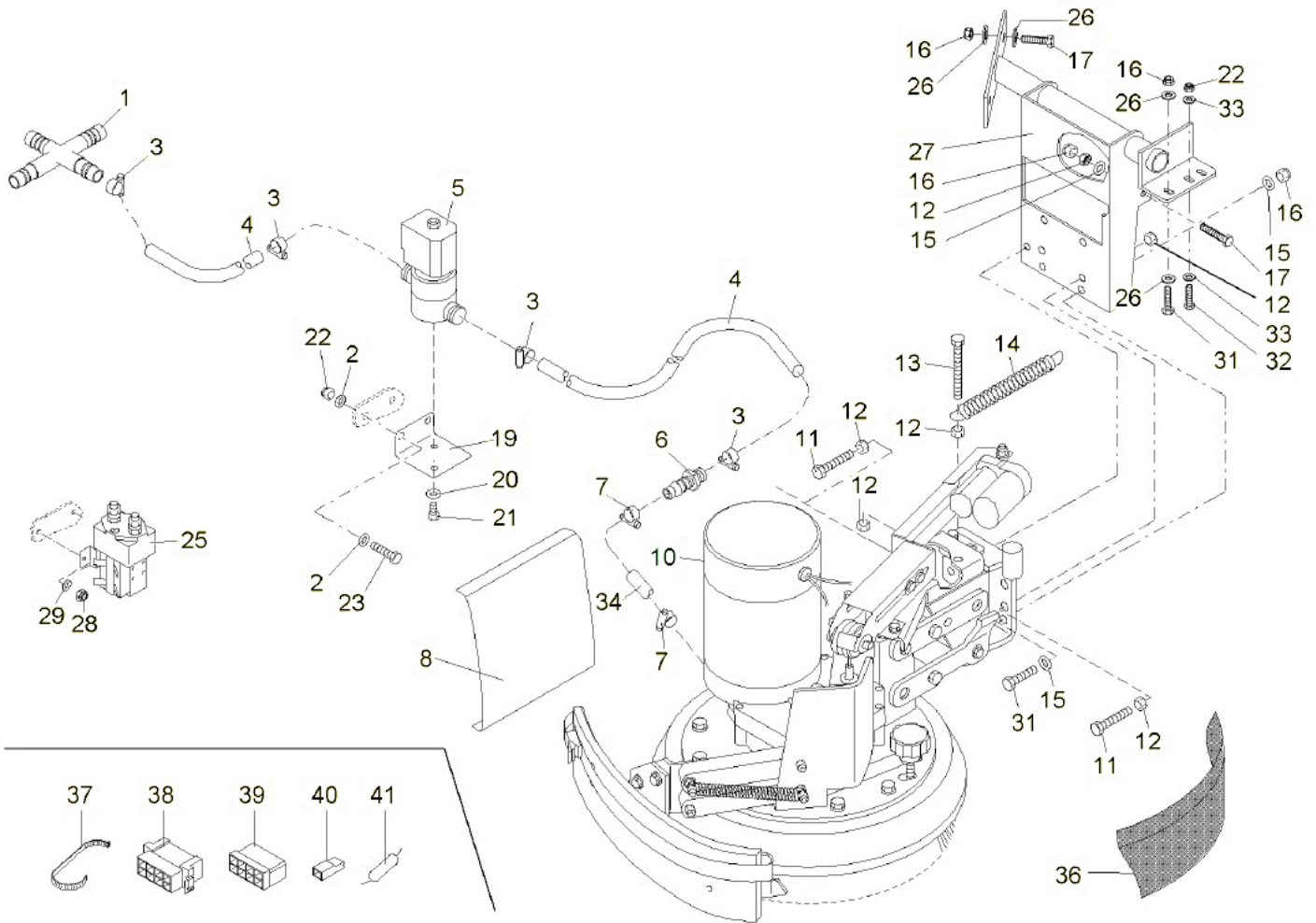
DIRTY WATER RECYCLING SYSTEM (99758302)			
ITEM	PART NO.	QTY	DESCRIPTION
1	00552690	1	TANK SCREWS
2	00020020	3	ANGLE SOCKET
3	00074300	4	HOSE CLAMP A-8-16X 9-W2-2
4	00112010	500MM	HOSE 12X3 PVC-WEICH
5	00671820	600MM	HOSE
6	00874590	13	HOSE CLAMP A-16-25X 9-W1-2
7	00552760	2	QUICK HITCH
8	00059660	2	ANGLE SOCKET
9	00552710	2	TANK
10	00111990	1	COVER
11	00552620	2	SEAL
12	00154140	2	SCREWED ANGLE FITTING
13	00053730	2	WASHER A6,4-140HV-ST A2G
14	00563220	1	ELECTROVALVE 24V/2,5-BAR
15	00051520	2	HEXAGON NUT M6-6 A2G
16	00053720	2	WASHER A5,3-140HV-ST A2G
17	00501920	1	ANGLE
18	00507490	2	HEX.BOLT M5X8-8.8 A2G
19	00053020	2	HEXAGON SCREW M6X20-8.8 A2G
20	00111980	1	FILTER
21	00022570	4	HEX.BOLT M5X25-8.8 A2G
22	00053150	2	HEX.BOLT M8X110-8.8 A2G
23	00722260	1	MOUNTING PLATE
24	00555520	4	WASHER 5,3-140HV-ST A3G
25	00051510	2	HEXAGON NUT M8-8 A2G
26	00543750	1	PUMP 24V DC
27	00058000	6	WASHER 5,3-140HV-A2
28	00042900	2	WASHER 8,4-140HV-ST A3G
29	00111970	1	DIRT WATER TANK
30	00552670	2	QUICK HITCH
31	00552680	2	QUICK HITCH
32	00552650	3	HOOK LOCK
33	00557140	6	WASHER
34	01131440	6	SOCKET HEAD CAP SCREW
35	00902250	6	HEX. NUT M5-A4
36	00130630	2	TREADED NIPPLE PGE3/J-19
37	00130600	1	BALL TAP
38	00976320	1	CIRCUIT BREAKER
39	00120840	1	CONTACT SWITCH 36V
40	00200170	2390MM	PVC HOSE 13X3,5 TRANSP.

DIRTY WATER RECYCLING SYSTEM (99758302)



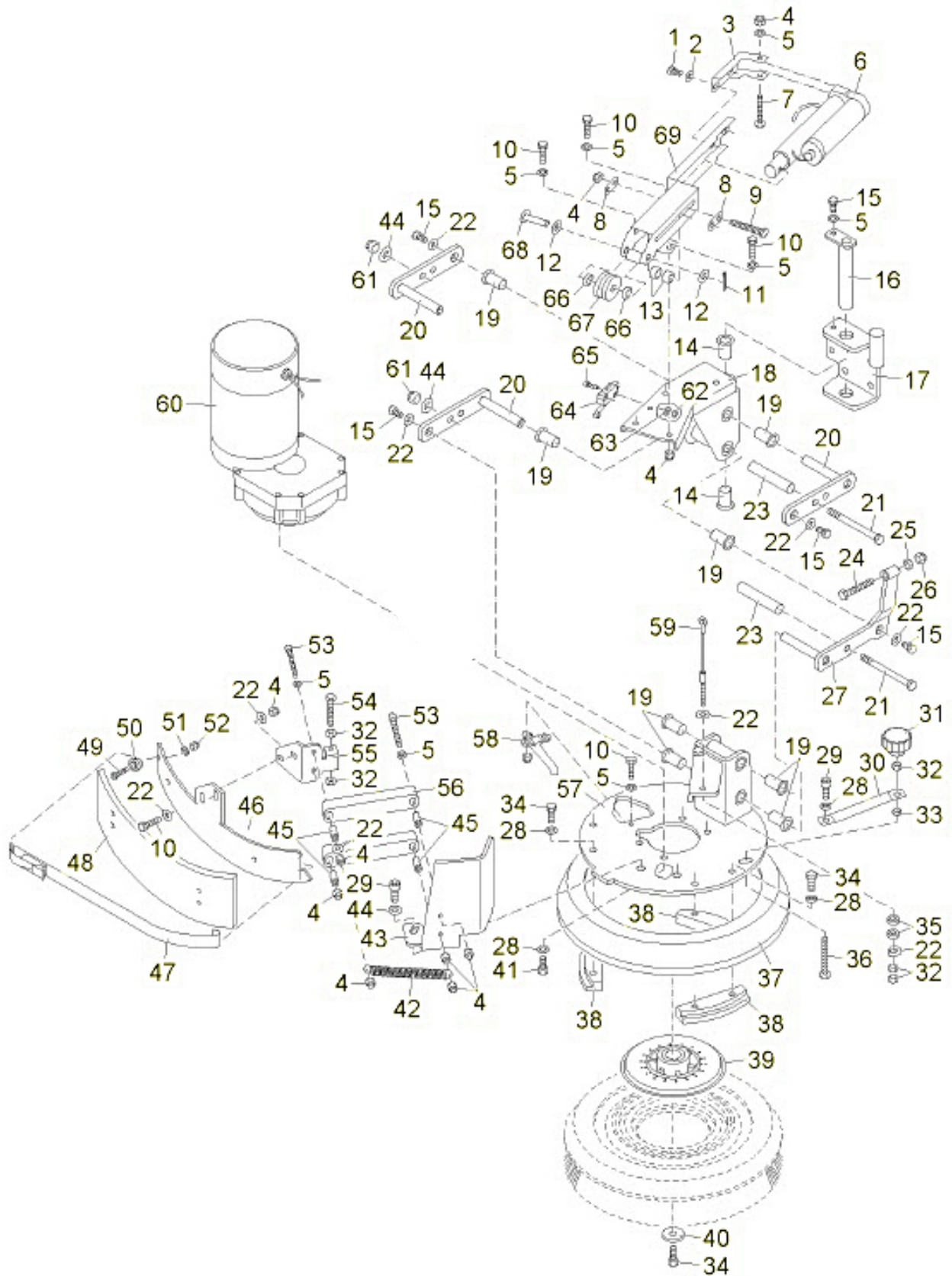
DIRTY WATER RECYCLING SYSTEM (99758302)			
ITEM	PART NO.	QTY	DESCRIPTION
41	01070340	1	MODIFICATION KIT
42	03007630	1000MM	SEALING BAND ELRING N 12X0,1 TEFLON
43	00695680	2	FILLISTER-HEAD SCREW M3X12-4.8-H A2G
44	00022200	2	HEX. NUT M3-6 A2G
45	00559670	1	CASE
46	00083640	1	PLASTIC COVER
47	00083650	1	PLASTIC COVER
48	00903190	1	TAB 6,3/1,5-2,5
49	00161240	180MM	EDGE PROTECTION 10,5X17
50	00967760	2	CABLE TIE 4,8X360

SIDE SCRUBBING UNIT FOR HKM B 1050 AND HKM B 1100 (99758602)



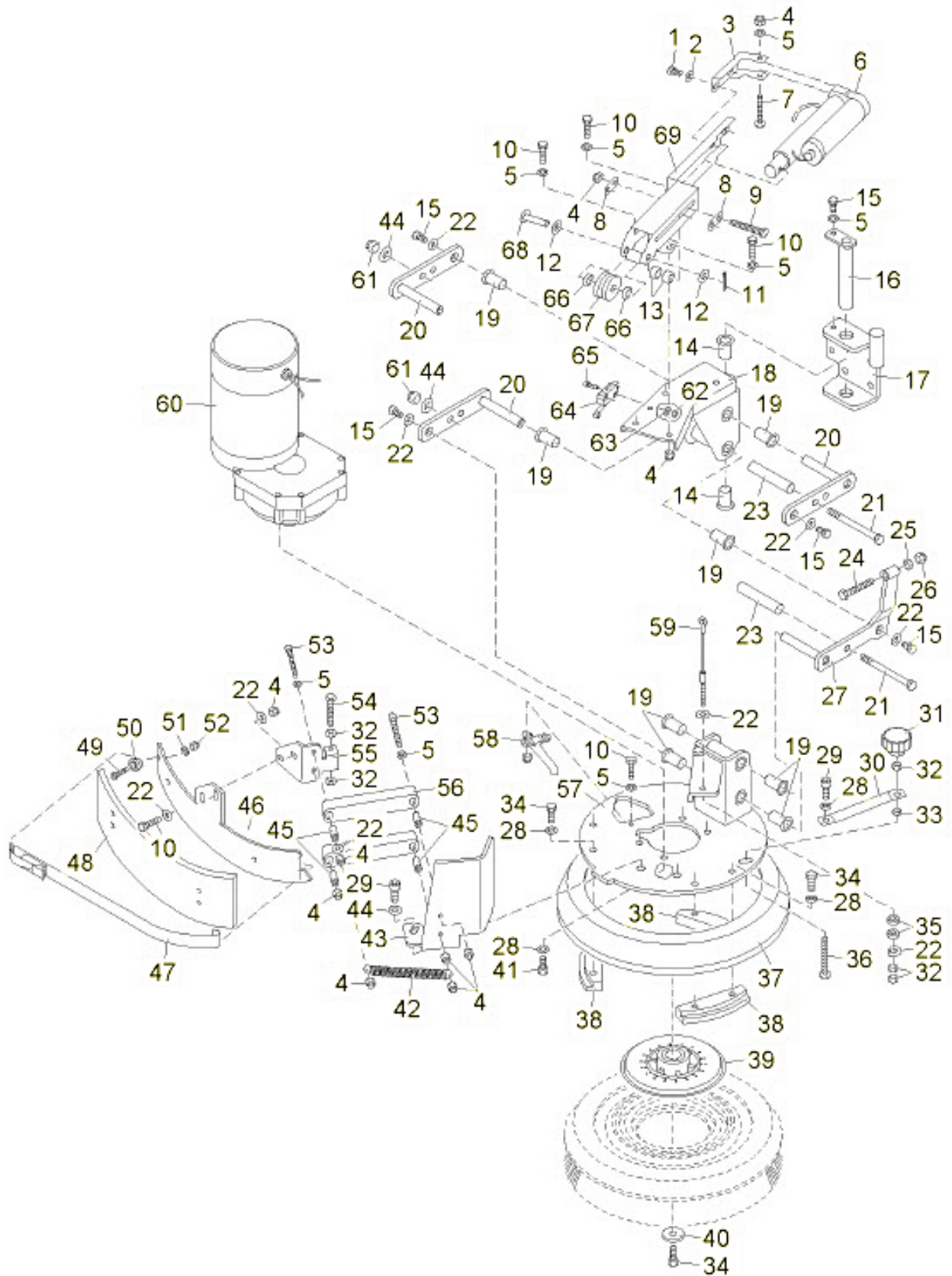
SIDE SCRUBBING UNIT FOR HKM B 1050 AND HKM B 1100 (99758602)				
ITEM	PART NO.	QTY	DESCRIPTION	REMARKS
1	01056360	1	CROSS CONNECTOR	
2	00053730	4	WASHER A6,4-140HV-ST A2G	
3	00874590	4	HOSE CLAMP A-16-25X 9-W1-2	
4	00200170	520MM	PVC HOSE 13X3,5 TRANSP.	
5	00563220	1	ELECTROVALVE 24V/2,5-BAR	
6	00970320	1	CONNECTING PIECE	
7	00074300	2	HOSE CLAMP A-8-16X 9-W2-2	
8	00035700	1	FLAP (FOR SIDE SCRUBBING UNIT)	
10	97049076		UNIT	NOT AVAILABLE! POS. HAS SUB-ASSEMBLIES!
11	00133700	2	HEXAGON SCREW M8X40-8.8 A2G	
12	00053350	6	HEXAGON NUT M8-8 A2G	
13	00052900	1	HEX.BOLT M8X65-8.8 A2G	
14	00554000	1	TENSION SPRING	
15	00053750	12	WASHER A8,4-140HV-ST A2G	
16	00051510	9	HEXAGON NUT M8-8 A2G	
17	00053110	3	HEXAGON SCREW M8X30-8.8 A2G	
19	00501920	1	ANGLE	
20	00555520	2	WASHER 5,3-140HV-ST A3G	
21	00507490	2	HEX.BOLT M5X8-8.8 A2G	
22	00051520	4	HEXAGON NUT M6-6 A2G	
23	00053020	2	HEXAGON SCREW M6X20-8.8 A2G	
25	00965060	1	SOLENOID 120ECS 40V	
26	00042900	5	WASHER 8,4-140HV-ST A3G	
27	00142120	1	SUPPORT	
28	00133830	2	HEX. NUT M4-6 A2G	
29	00053710	2	WASHER B4,3-140HV-ST A2G	
31	00053100	7	HEXAGON SCREW M8X25-8.8 A2G	
32	00154070	1	HEX.BOLT M6X22-8.8 A2G	
33	00135120	6	WASHER 6,4-140HV-ST A3G	
34	00562480	60MM	SPIRAL HOSE	
36	00112250	1	SPRAYING GUARD	
37	00121010	1	CABLE TIE PLT1M-M	
38	00956310	1	JUMPER CABLE 8-POL.	
39	00956300	1	JUMPER CABLE 8-POL.	
40	00083640	1	PLASTIC COVER	
41	00050760	1	DIODE	

SCRUBBING UNIT CPL. (97049076)



SCRUBBING UNIT CPL. (97049076)			
ITEM	PART NO.	QTY	DESCRIPTION
1	00152800	2	HEX.BOLT M5X12-8.8 A2G
2	00555520	2	WASHER 5,3-140HV-ST A3G
3	00041320	1	SUPPORT
4	00051520	11	HEXAGON NUT M6-6 A2G
5	00053730	9	WASHER A6,4-140HV-ST A2G
6	00142140	1	LIFTING ELEMENT
7	00053290	1	HEXAGON SCREW M6X35-8.8 A2G
8	00041350	2	BRACKET
9	00053060	2	HEX.BOLT M6X50-8.8 A2G
10	00053020	6	HEXAGON SCREW M6X20-8.8 A2G
11	00054860	1	COTTER PIN 2X16-ST A2G
12	00074230	2	WASHER 8-ST A3G
13	00534230	2	BUSHING
14	00041410	2	PLAIN BEARING BUSH GFM-1820-22
15	00025260	3	HEXAGON SCREW M6X10-8.8 A2G
16	00041200	1	BOLT
17	00041290	1	SUPPORT
18	00142170	1	SUPPORT
19	00041400	8	PLAIN BEARING BUSH GFM-1214-20
20	00041700	3	LEVER
21	00074500	2	HEX.BOLT M8X90-8.8 A2G
22	00135120	6	WASHER 6,4-140HV-ST A3G
23	00041370	2	BUSHING
24	00053260	1	HEX.BOLT M8X50-8.8 A2G
25	00053350	2	HEXAGON NUT M8-8 A2G
26	00041790	1	CAP NUT M8-6 A2G
27	00041270	1	LEVER
28	00053750	11	WASHER A8,4-140HV-ST A2G
29	00045540	2	CYLINDER HEAD SCREW M8X20-10.9 A2G
30	00041300	1	SPRING
31	00906050	1	STAR-HANDLE BOLT M8X60 A2G
32	00053330	4	HEXAGON NUT M6-8 A2G
33	00046500	1	HEX. NUT BM8-04 A2G
34	00053090	7	HEXAGON SCREW M8X20-8.8 A2G
35	00153180	2	BUFFER
36	00053130	1	HEXAGON SCREW M8X55-8.8 A2G
37	00142190	1	REJECTING PLATE
38	00041340	3	RAIL

SCRUBBING UNIT CPL. (97049076)



SCRUBBING UNIT CPL. (97049076)			
ITEM	PART NO.	QTY	DESCRIPTION
39	00512400	1	CARRIER TYP
40	00879170	1	WASHER
41	00045540	2	CYLINDER HEAD SCREW M8X20-10.9 A2G
42	00705310	1	TENSION SPRING
43	00041390	1	ANGLE
44	00042900	3	WASHER 8,4-140HV-ST A3G
45	00975310	4	BUSHING
46	00142150	1	DEFLECTOR
47	00975050	1	TIGHTENING STRAP
48	00041310	1	STRIPPING RUBBER
49	00551120	1	SCREW M4X20-4.8-H A2G
50	00522450	1	LOCK
51	00053710	1	WASHER B4,3-140HV-ST A2G
52	00133830	1	HEX. NUT M4-6 A2G
53	00535110	2	HEX.BOLT M6X45-8.8 A2G
54	00053050	1	HEX.BOLT M6X40-8.8 A2G
55	00041330	1	ANGLE
56	00975330	2	LEVER
57	00142160	1	PLATE
58	00861700	1	SPRAY TUBE
59	00041380	1	ROPE
60	00142130	1	ENGINE
61	00051510	1	HEXAGON NUT M8-8 A2G
62	00022200	2	HEX. NUT M3-6 A2G
63	00747400	2	WASHER 3,2-140HV-ST A3G
64	00975510	1	MICRO SWITCH
65	00955210	2	FILLISTER-HEAD SCREW M3X25-4.8-H A2G
66	00109520	2	WASHER
67	00041360	1	ROLLER
68	00706080	1	BOLT B8H11X40-ST A2G
69	00142180	1	SUPPORT

WARRANTY

Revision F
Effective November 1, 2008
PowerBoss Made Simple Industrial Limited Warranty

Minuteman International owner of PowerBoss warrants to the original purchaser/user that the product is free from defects in workmanship and materials under normal use. PowerBoss will, at its option, repair or replace without charge, parts that fail under normal use and service when operated and maintained in accordance with the applicable operation and instruction manuals. All warranty claims must be submitted through and approved by factory authorized repair stations.

This warranty does not apply to normal wear, or to items whose life is dependent on their use and care. Parts not manufactured by PowerBoss are covered by and subject to the warranties and/or guarantees of their manufacturers. Please contact Minuteman International for procedures in warranty claims against these manufacturers.

Special warning to purchaser -- Use of replacement parts not manufactured by PowerBoss or its designated licensees, will void all warranties expressed or implied. A potential health hazard exists without original equipment replacement.

All warranted items become the sole property of Minuteman International or PowerBoss or its original manufacturer, whichever the case may be.

PowerBoss disclaims any implied warranty, including the warranty of merchantability and the warranty of fitness for a particular purpose. PowerBoss assumes no responsibility for any special, incidental or consequential damages.

This limited warranty is applicable only in the U.S.A. and Canada, and is extended only to the original user/purchaser of this product. Customers outside the U.S.A. and Canada should contact their local distributor for export warranty policies. PowerBoss is not responsible for costs or repairs performed by persons other than those specifically authorized by PowerBoss. This warranty does not apply to damage from transportation, alterations by unauthorized persons, misuse or abuse of the equipment, use of non-compatible chemicals, or damage to property, or loss of income due to malfunctions of the product. If a difficulty develops with this machine, you should contact the dealer from whom it was purchased.

This warranty gives you specific legal rights, and you may have other rights, which vary from state to state. Some states do not allow the exclusion or limitation of special, incidental or consequential damages, or limitations on how long an implied warranty lasts, so the above exclusions and limitations may not apply to you.

	Travel*	Labor	Parts	Engine	Extended Warranty	Costs
Walk behinds						
Battery sweepers	Ninety days	One year	One year	N/A	2 years Parts + Labor (or 2000 Hours)	2%
IC sweepers	Ninety days	One year	One year	Through manufacturer	2 years Parts + Labor (or 2000 Hours)	2%
Battery scrubbers	Ninety days	Two years	Three years	N/A	3 Years Parts + Labor (or 3000 Hours)	2%
Riders						
Battery scrubbers	Ninety days	Two years	Three years/2000 hrs	N/A	3 Years Parts + Labor (or 3000 Hours)	2%
IC sweeper/scrubbers	Ninety days	Six months	Two years/2000 hrs	Two years/3000 hrs**	2 years Parts + Labor (or 2000 Hours)	3%
IC sweepers	Ninety days	Six months	Four years/3000 hrs	Five years/3000 hrs**	4 Years Parts + 2 Years Labor (or 4000 Hours)	3%
Exceptions						
Apex series sweeper	Ninety days	One year	One year/1000 hrs	One year/1000 hrs**	2 years Parts + Labor (or 2000 Hours)	3%
6X sweeper	Ninety days	Six months	Two years/2000 hrs	Two years/2000 hours**	2 years Parts + Labor (or 2000 Hours)	3%

Tank Bladders Eight years/ no additional labor
Polypropylene plastic tanks Ten years/ no additional labor
Batteries 0-3 months full replacement, 4-12 prorated credit
Chargers One-year replacement
Replacement parts Ninety days
***Two-hour cap**

****Through engine manufacturer. See section 3 of warranty manual for engine warranty exceptions**

***** Based upon dealer's certification status**

Extended Warranty MUST be signed up within 30 days of delivery to End User (Dealer has 1Year from Receiving Machine to Sign up extended Warranty)

Extended Warranty Cost is based on Invoice Price multiplied by the Percentage listed in the Extended Warranty Column

All above labor and travel reimbursed at 65 or 75% of the published shop rate.



“The Power of Clean”

PowerBoss Is A Full Line Manufacturer Of Sweepers and Scrubbers For Industrial Facilities.

PowerBoss, Inc 175 Anderson Street P.O. Box 1227- Aberdeen North Carolina 28315

Phone: 800-982-7141 - Fax: 1-800-277-7141 Local: 910-944-2105 Fax: 910-944-7409 e-mail: techsupport@powerboss.com

A Member Of The Hako Group